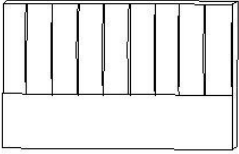
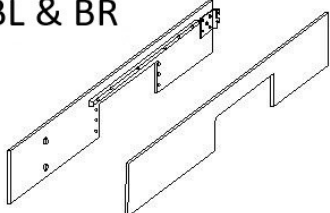
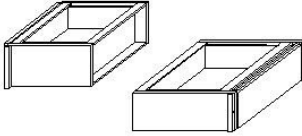
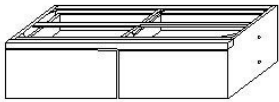
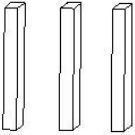
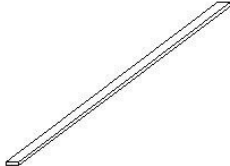

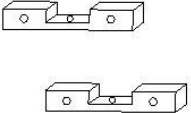
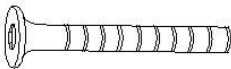
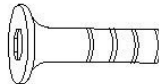
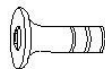


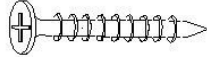
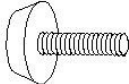

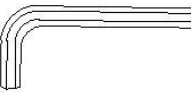
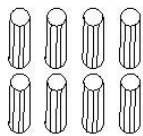
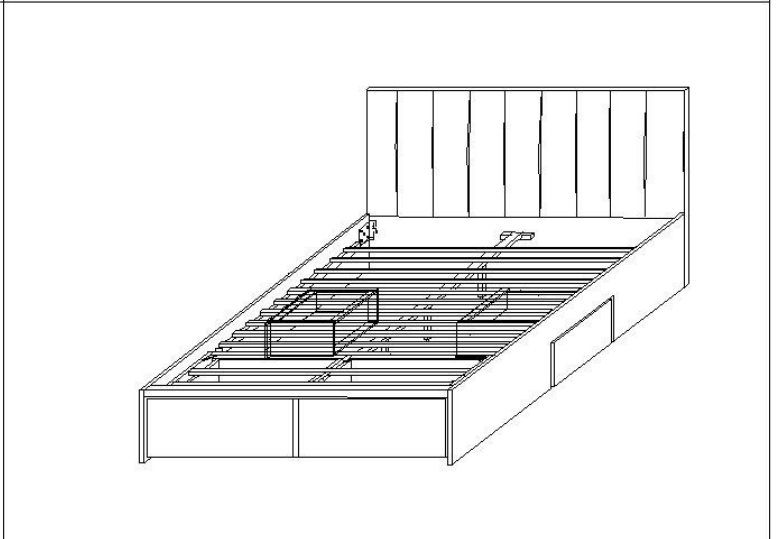
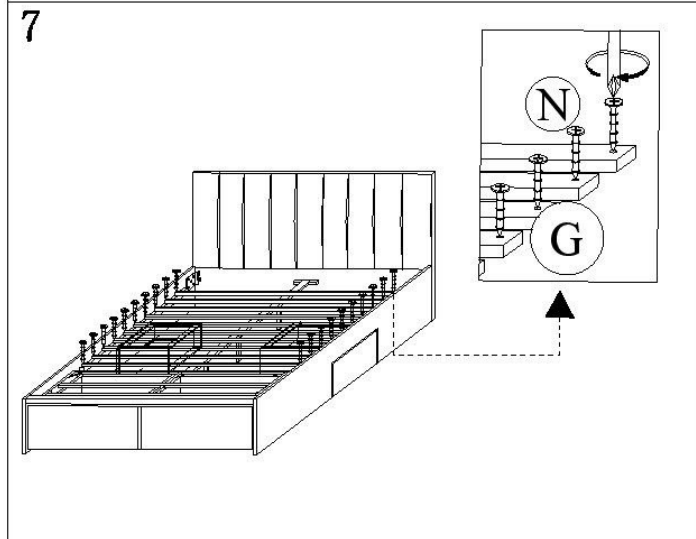
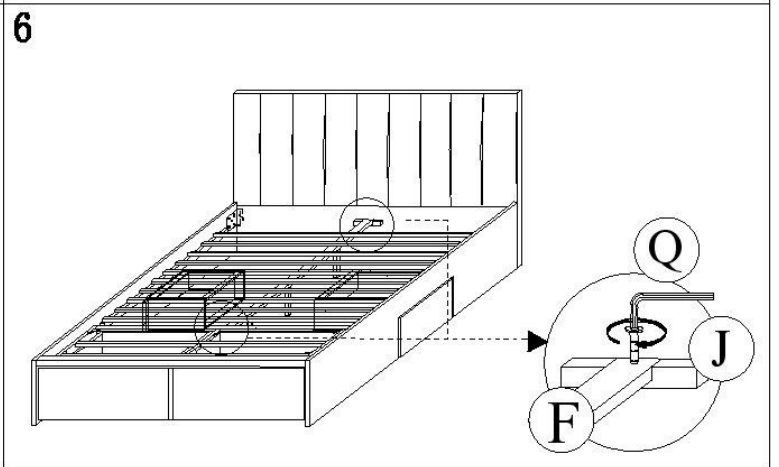
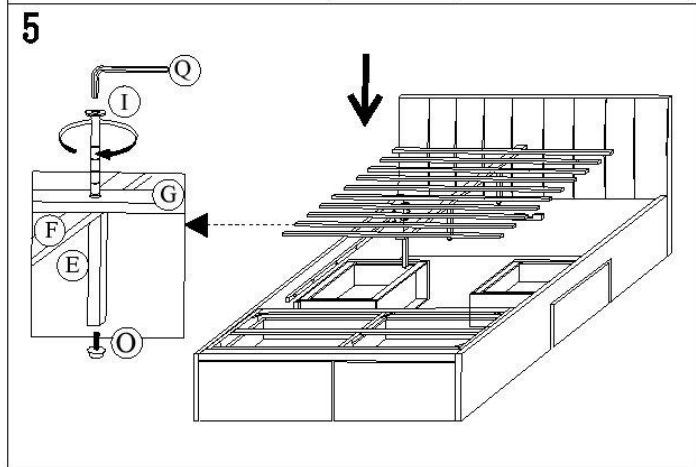
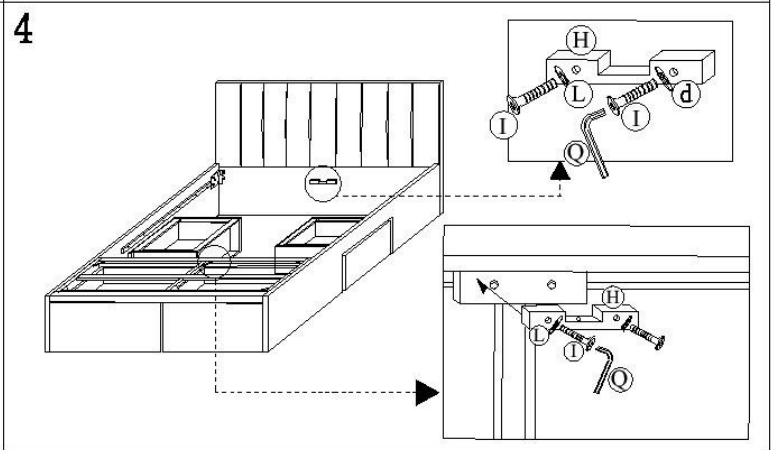
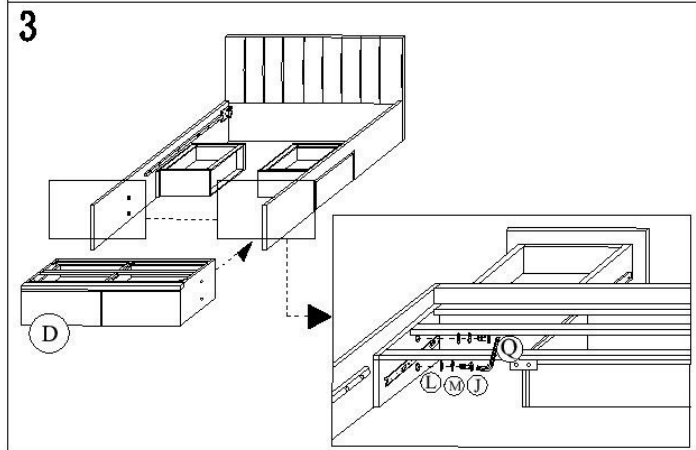
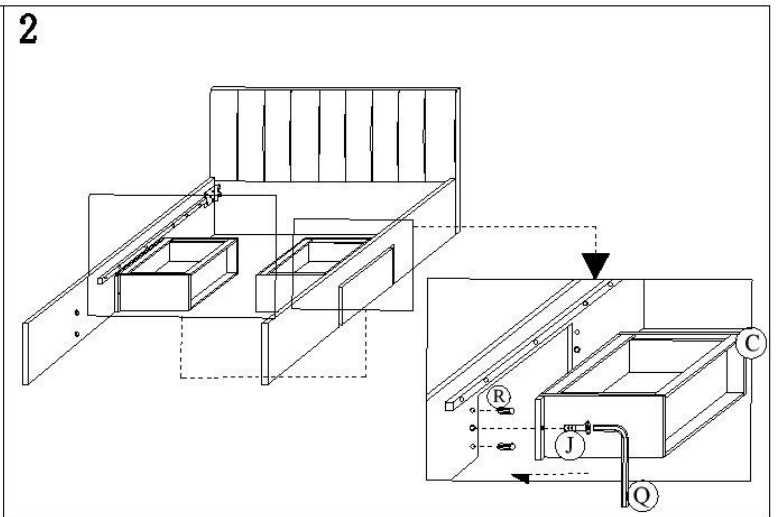
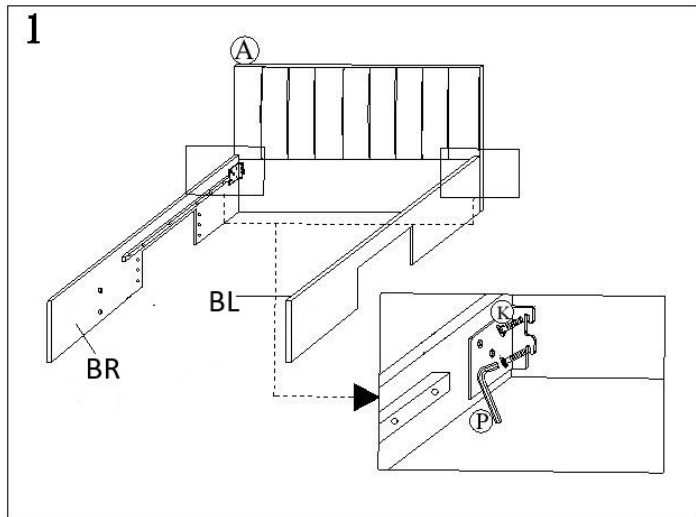


GORASHI

<p>A</p> 	<p>BL & BR</p> 	<p>C</p> 	<p>D</p> 
<p>Headboard</p>	<p>Side Rail</p>	<p>Side Drawer</p>	<p>Footboard Drawer</p>
<p>E</p> 	<p>F</p> 	<p>G</p> 	<p>H</p> 
<p>Support Leg</p>	<p>Center Rail</p>	<p>Slat</p>	<p>Wood Support</p>
<p>I</p>  <p>X7</p>	<p>J</p>  <p>X10</p>	<p>K</p>  <p>X4</p>	<p>L</p>  <p>X8</p>
<p>JCBC M6 X 60 MM</p>	<p>JCBC M6 X 30 MM</p>	<p>JCBB M8 X 16 MM</p>	<p>Flat Washer M6</p>
<p>M</p>  <p>X4</p>	<p>N</p>  <p>X20</p>	<p>O</p>  <p>X3</p>	<p>P</p>  <p>X1</p>
<p>Spring Washer M6</p>	<p>CSK M4 X 30 MM</p>	<p>Adjuster Screw</p>	<p>Allen Key M5</p>
<p>Q</p>  <p>X1</p>	<p>R</p>  <p>X8</p>		
<p>Allen Key M4</p>	<p>Wood Base M8 X 30MM</p>		



HALMAR SP.z o. o .
 ul. Centralnego Okregu Przemyslowego 2, 37-450 Stalowa Wola, POLSKA / POLAND
 tel.+48 15 843 28 10, fax:+48 15 842 19 57 , e-mail: office@halmar.com.pl