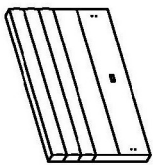



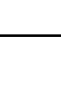






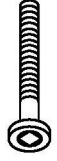






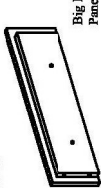

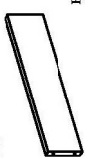










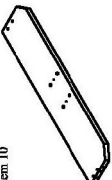
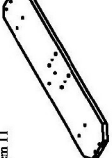
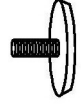





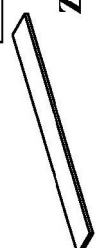
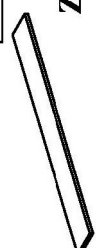
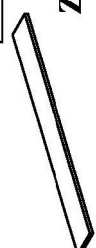
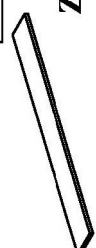
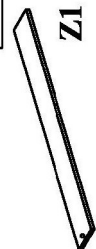


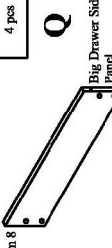

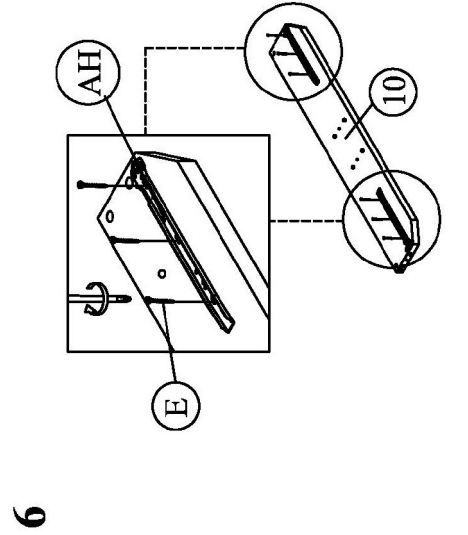
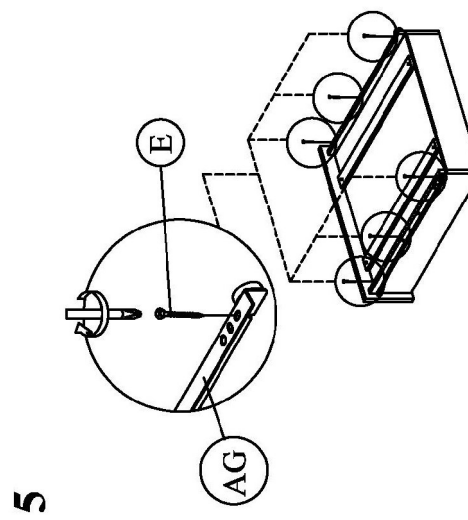
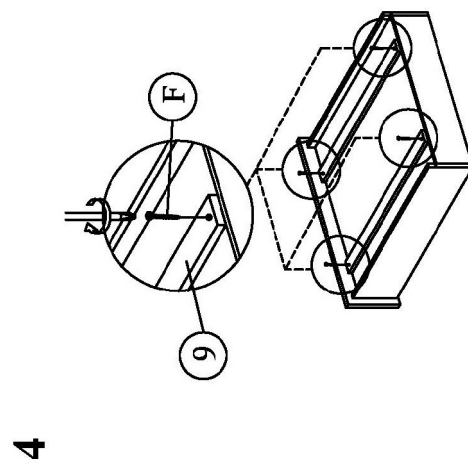
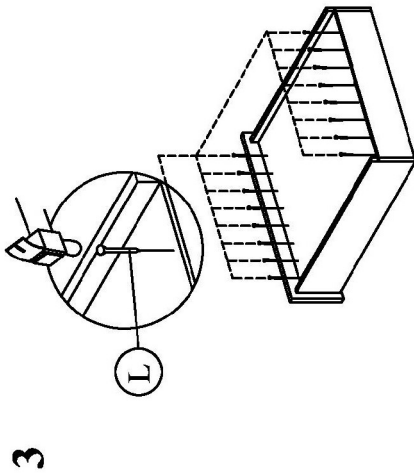
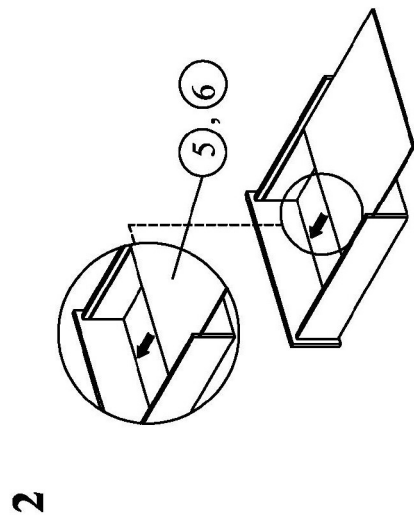
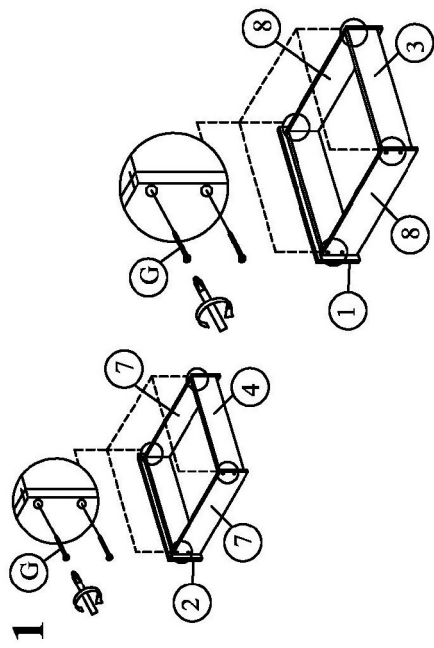


KAYLEON

Item AA A Headboard 	Item AB B Footboard 	Item CL CL & CR Side Rail 	Item CR 1 pc	Item C Z4 JCBC M6 x 40 	Item B Z3 JCBC W M6 x 40 	Item A Z2 Plastic Dowel (8 x 25) 	2 pcs
Item AD D Slat 	Item AE E Center Rail 	Item AF F Support leg 	2 pcs	Item F Z7 CSK M4 x 32 mm 	Item E Z6 CSK M3.5 x 16 mm 	Item D Z5 JCBC M6 x 60 	52 pcs
Item AG G Drawer Slide 500 	Item AH H Drawer Slide 500 	Item AI I Support leg 	4 pcs	Item I Z8 CSK M4 x 50mm 	Item H Z9 CSK M4 x 25 mm 	Item G Z10 Mini Fix Bolt 	10 pcs
Item 1 J Big Drawer Front Panel 	Item 2 K Small Drawer Front Panel 	Item 3 L Big Drawer Back Panel 	2 pcs	Item J Z11 Mini Fix Housing 	Item K Z12 Mini Fix Cap 	Item L Z13 Power Nail % 	52 pcs
Item 5 N Big Drawer Bottom Panel 	Item 6 O Small Drawer Bottom Panel 	Item 7 P Small Drawer Side Panel 	4 pcs	Item M Z14 White Nail Leg 	Item N Z15 Allen Key 65 mm 	Item O Z16 M6 Flat Washer 	10 pcs
Item 9 R 	Item 10 S 	Item 11 T 	1 pc	Item P Z17 Adjuster 	Item Q Z18 JCBC M6 x 30 	Item Q Z18 JCBC M6 x 30 	2 pcs
Item 13 V 	Item 14 W 	Item 15 X 	1 pc	Item M Z1 	Item M Z1 	Item M Z1 	8 pcs
Item 17 Z 	Item 18 Z1 	Item 16 M 	1 pc	Item 4 M Small Drawer Back Panel 	Item 8 Q Big Drawer Side Panel 	Item 12 U 	1 pc

HALMAR SP.z o.o.
ul. Centralnego Okregu Przemyslowego 2, 37-450 Sialowa Wola, POLSKA / POLAND
tel. +48 15 843 28 10, fax: +48 15 842 19 57, e-mail: office@halmar.com.pl

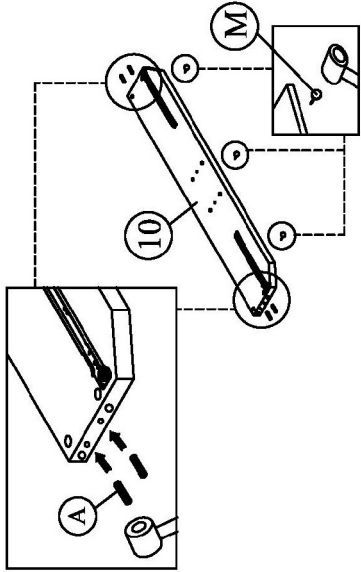
KAYLEON



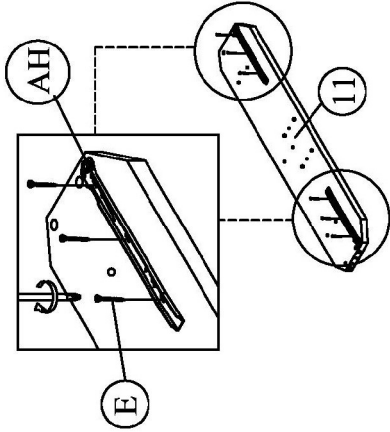
HALMAR SP.z o. o.
 ul. Centralnego Okręgu Przemysłowego 2, 37-450 Stalowa Wola, POLSKA / POLAND
 tel.: +48 15 843 28 10, fax: +48 15 842 19 57, e-mail: office@halmar.com.pl

KAYLEON

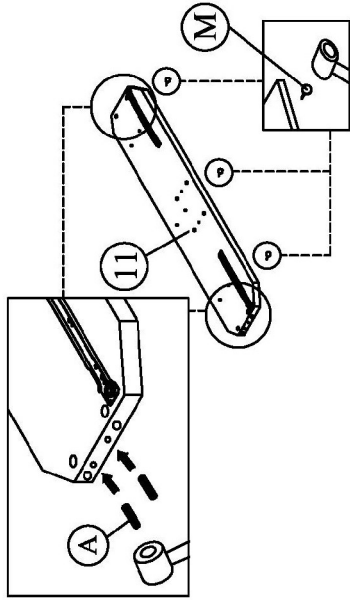
7



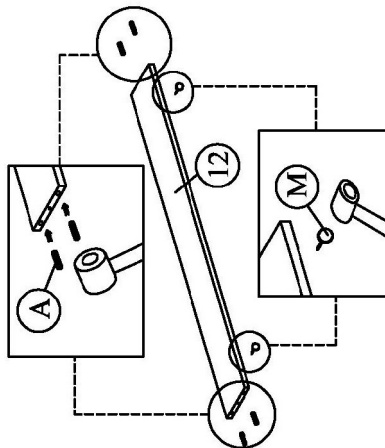
8



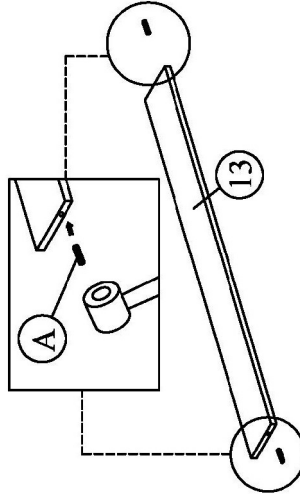
9



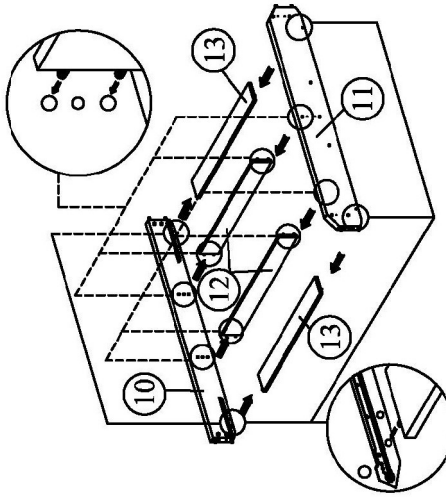
10



11



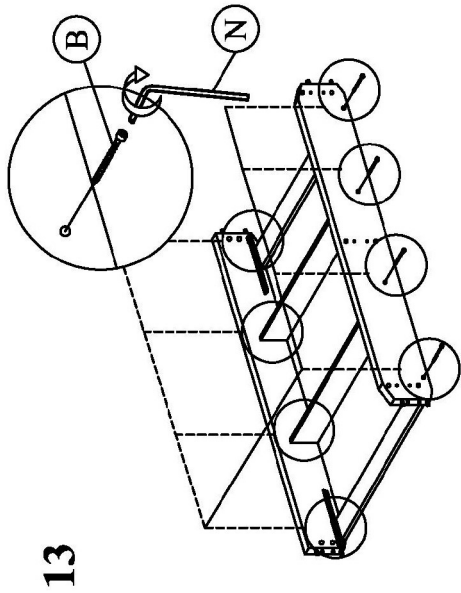
12



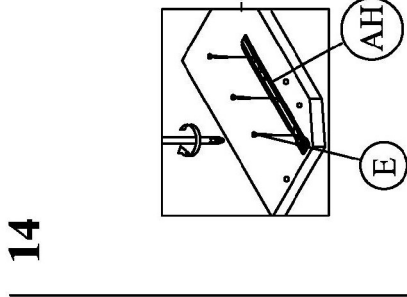
HALMAR SP.z o. o.

ul. Centralnego Okręgu Przemysłowego 2, 37-450 Stalowa Wola, POLSKA / POLAND
tel.: +48 15 843 28 10, fax: +48 15 842 19 57, e-mail: office@halmar.com.pl

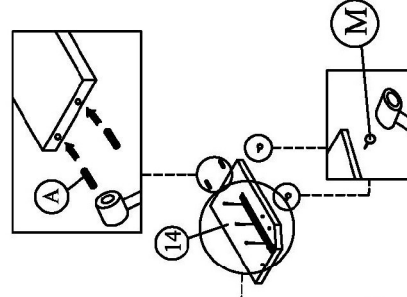
KAYLEON



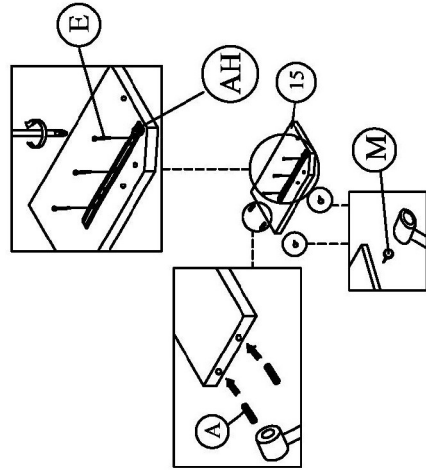
13



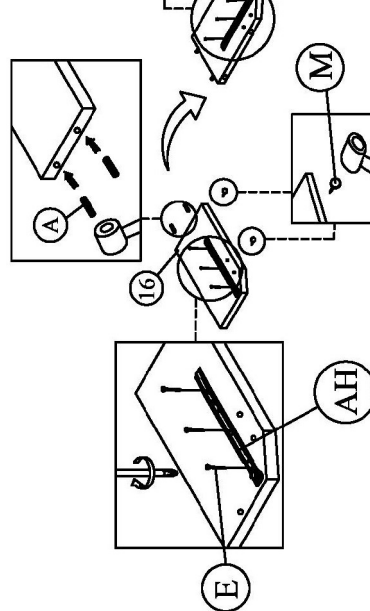
14



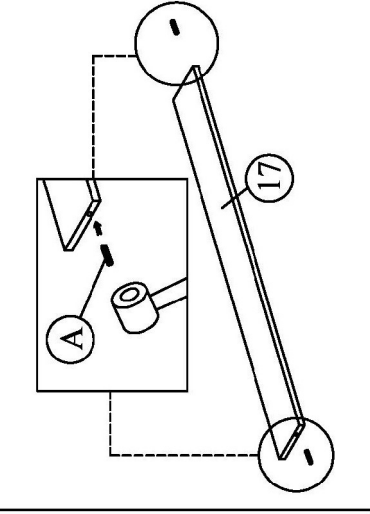
15



16 Attach (AH) to (E) and tighten it with (D), the flip (AH) to the other side and repeat the same step.

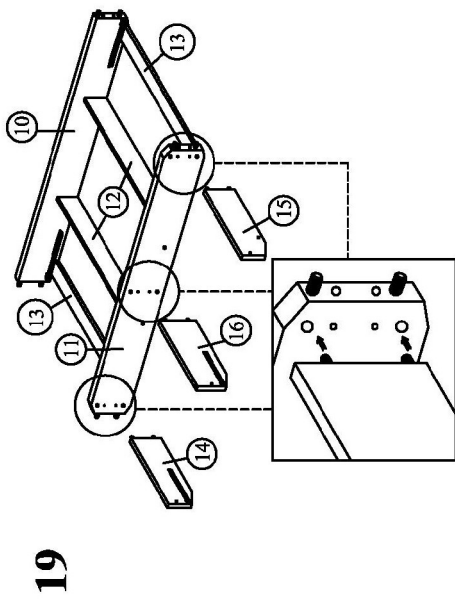


17

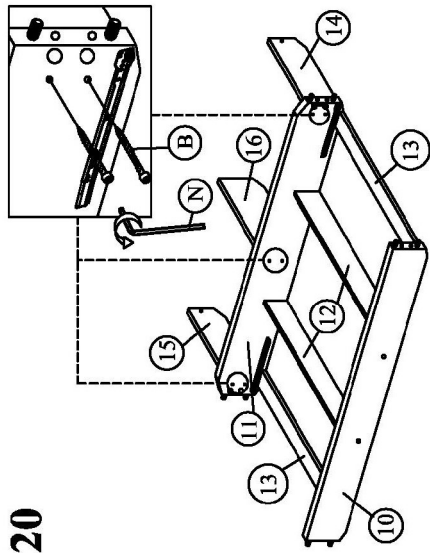


18

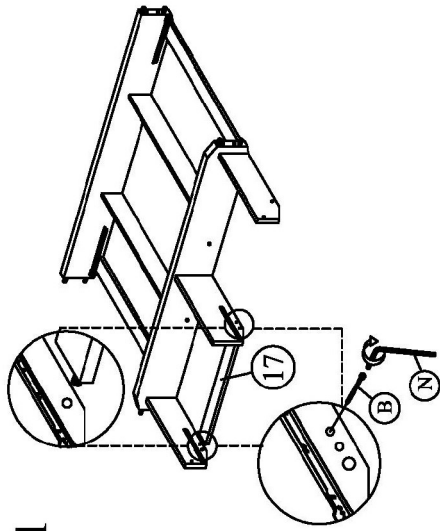
HALMAR SP.z o.o.
 ul. Centralnego Okręgu Przemysłowego 2, 37-450 Stalowa Wola, POLSKA / POLAND
 tel.: +48 15 843 28 10, fax: +48 15 842 19 57, e-mail: office@halmar.com.pl



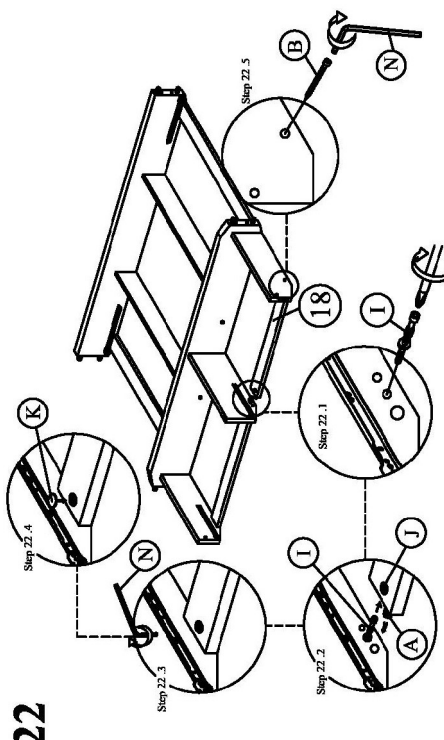
19



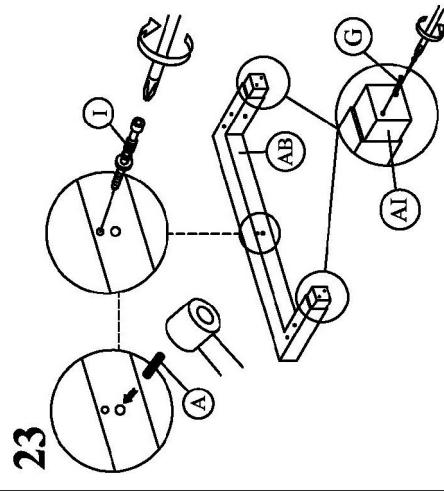
20



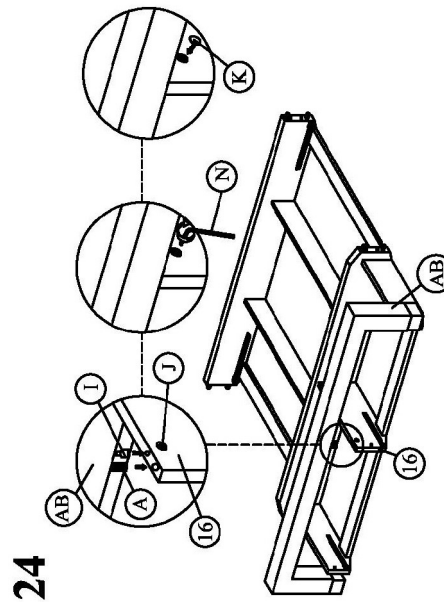
21



22

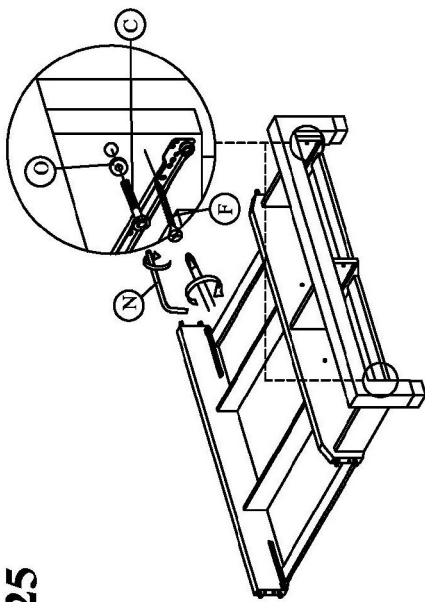


23

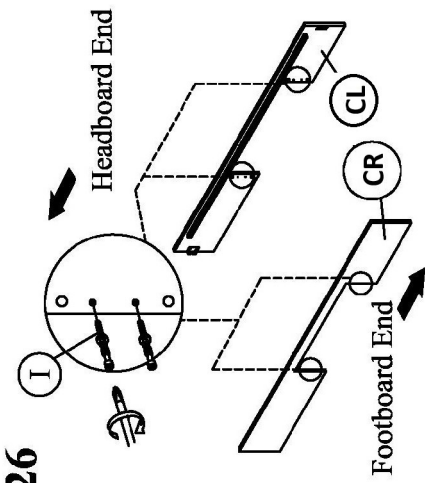


24

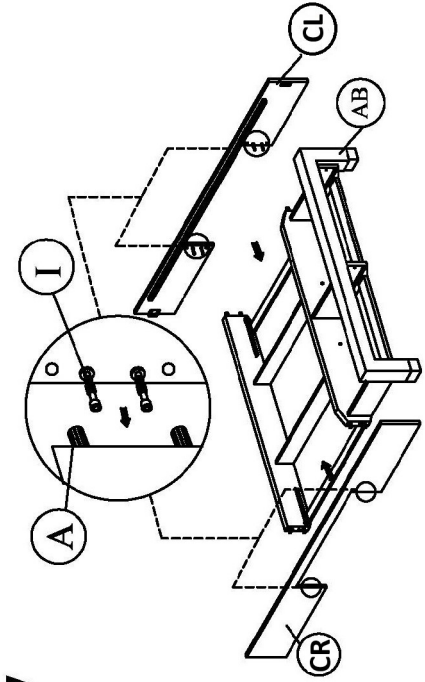
25



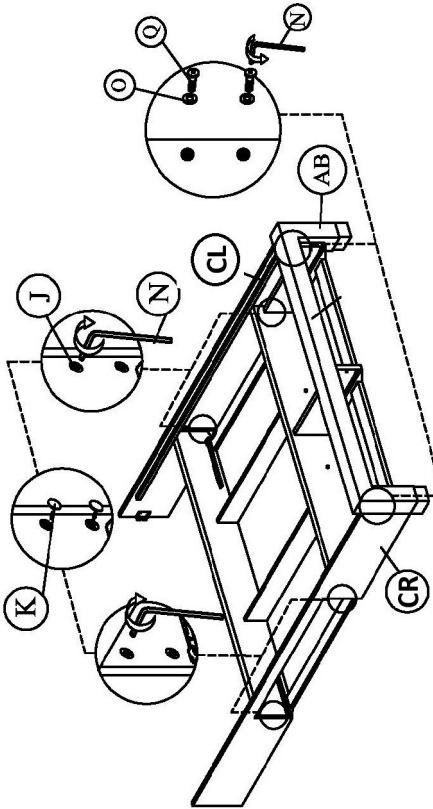
26



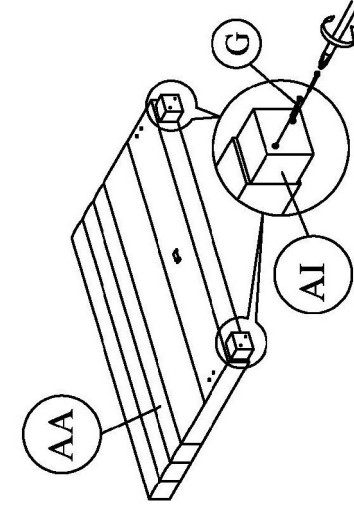
27



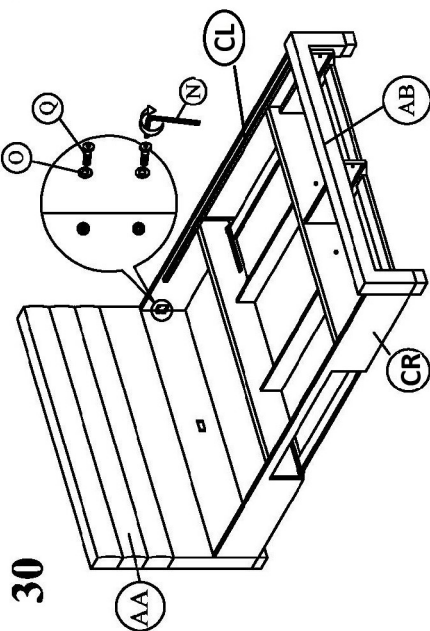
28



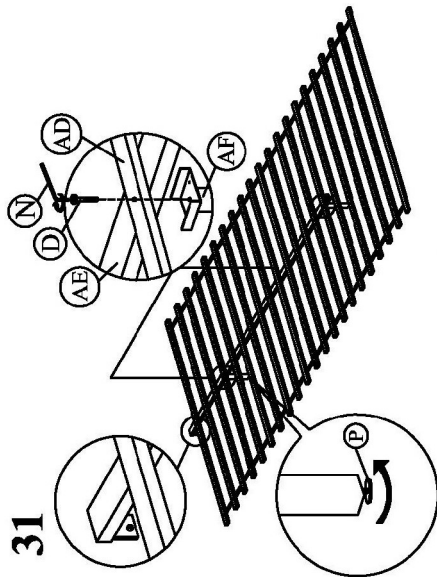
29



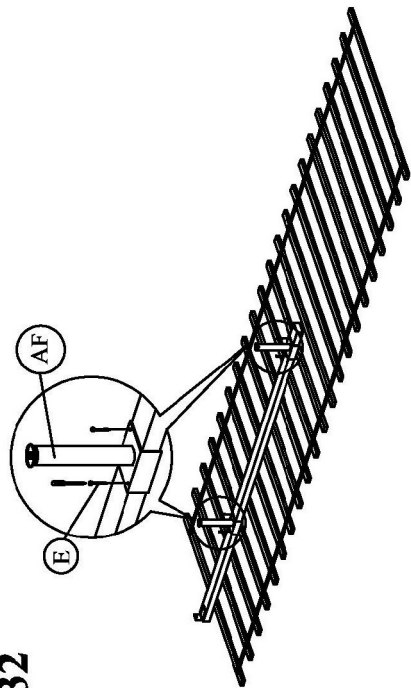
KAYLEON



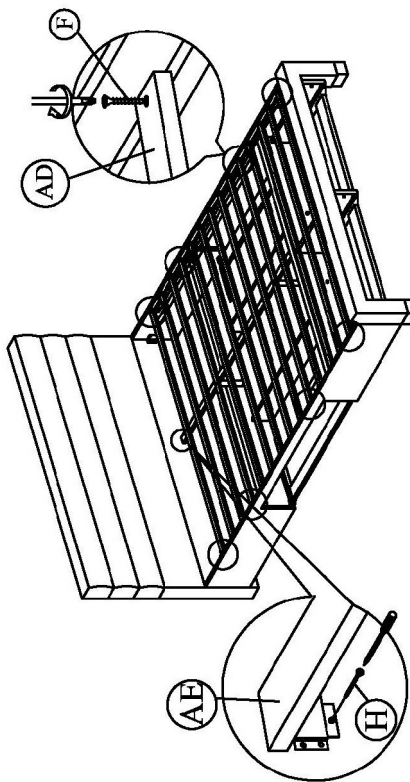
30



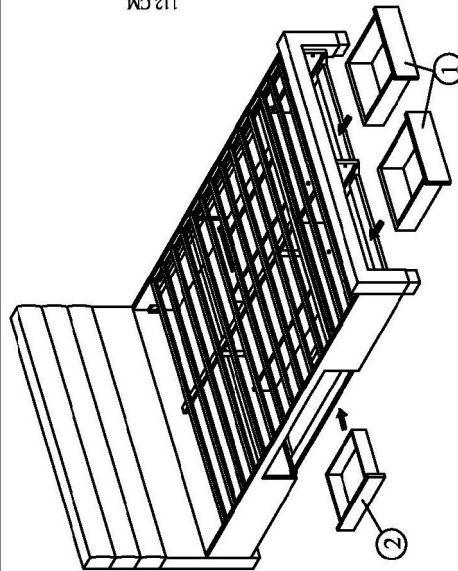
31



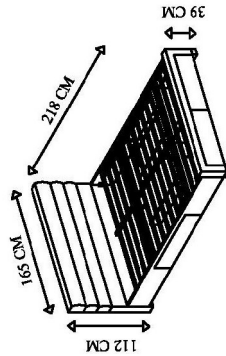
32



33



34



HALMAR SP.z o.o.
 ul. Centralnego Okregu Przemysłowego 2, 37-450 Siałowa Wola, POLSKA / POLAND
 tel.: +48 15 843 28 10, fax: +48 15 842 19 57, e-mail: office@halmar.com.pl