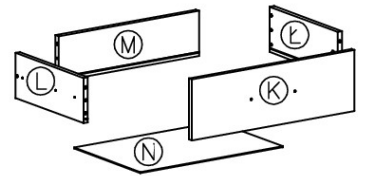
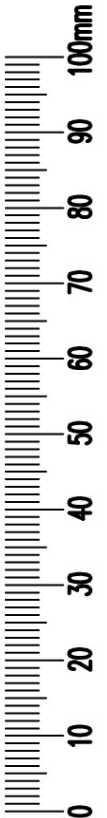
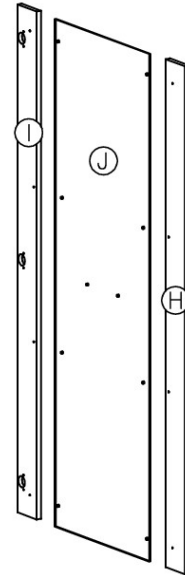
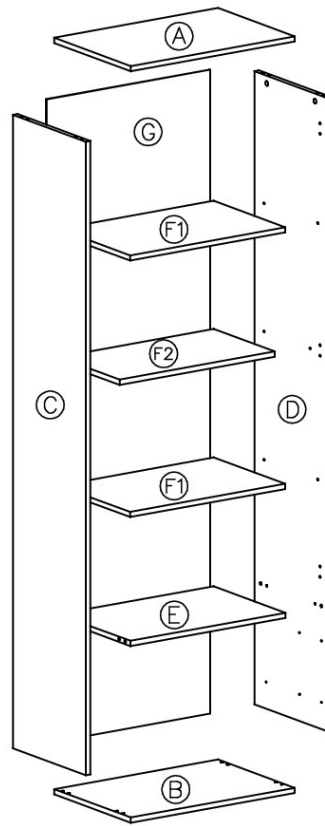
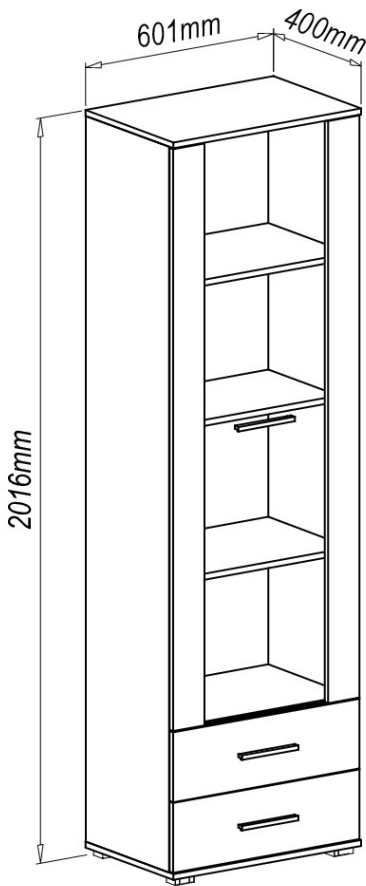

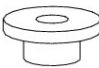
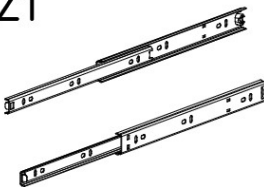


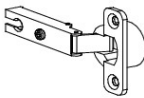




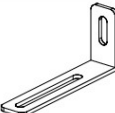

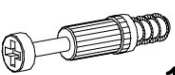


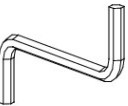







# LIMA W-1



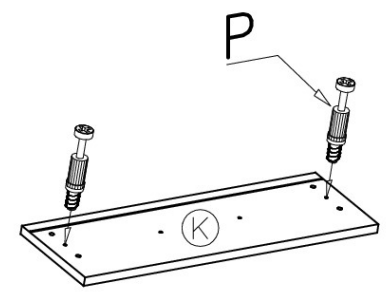
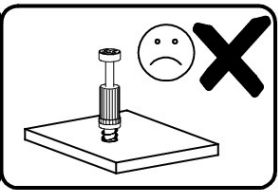
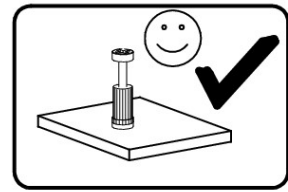
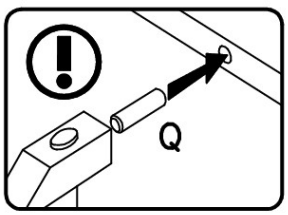
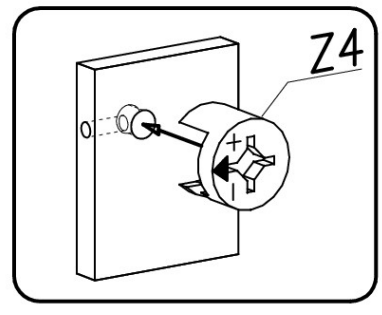
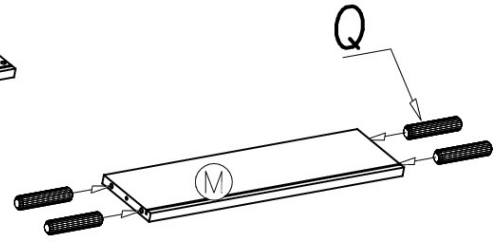
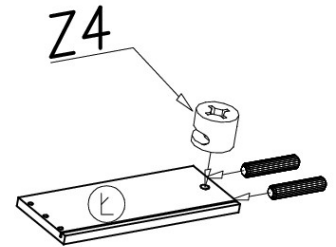
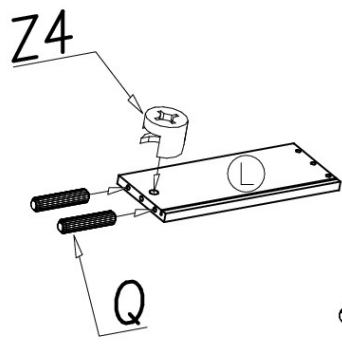
HALMAR Sp. z o.o., ul. Centralnego Okręgu Przemysłowego 2,  
37-450 Stalowa Wola, POLSKA / POLAND  
tel. + 48 15 843 28 10, fax: +48 15 842 19 57, e-mail: office@halmar.com.pl







|   |  |   |  |  |
|---|--|---|--|--|
|   |  | Z3<br>8x1,8<br><br>2x  | Z2<br><br>10x         | Z1<br><br>H30-350mm<br>x2 |
| W<br><br>4x30<br>4x    | X<br><br>160mm<br>3x    | Y<br><br>3x            | Z<br><br>3x           |  |
| U<br><br>3,5x16<br>32x | T<br><br>ø13<br>8x      | S<br><br>ø2x20<br>70x  | R<br><br>1x           | Q<br><br>ø8x30<br>28x     |
| P<br><br>12x           | Z4<br><br>ø15x12<br>12x | Z5<br><br>ø7x50<br>8x  | Z6<br><br>1x          | Z7<br><br>ø16<br>12x      |
| Z8<br><br>4x           | Z9<br><br>12x           | Z10<br><br>4x19<br>10x | Z11<br><br>4x20<br>8x |  |

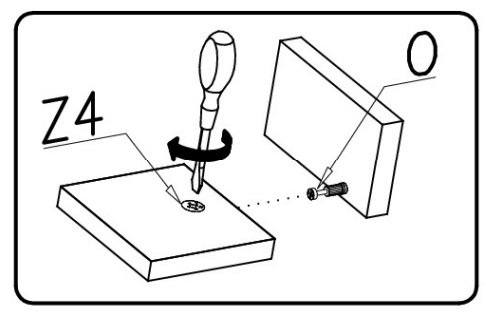
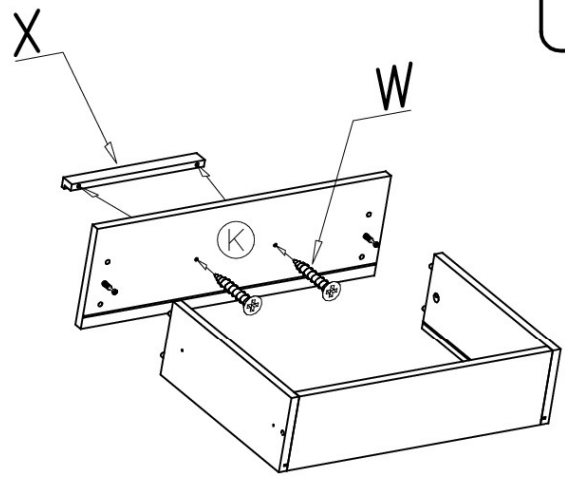
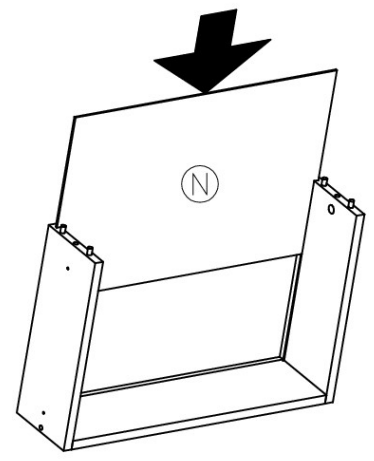
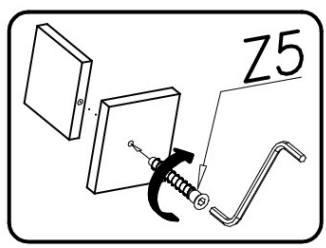
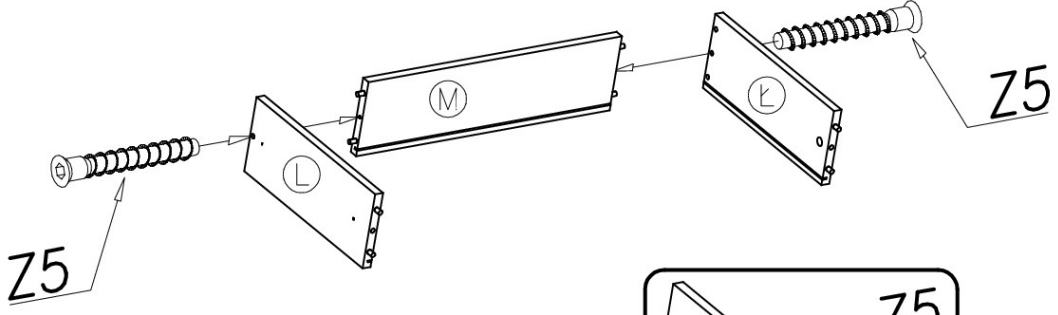
1 2x

|   |  |  |
|---|--|--|
| P   | Z4   | Q  |
|  |  |  |
| 4x  | 4x   | 16x  |
| Ø15x12  | Ø8x30  |  |

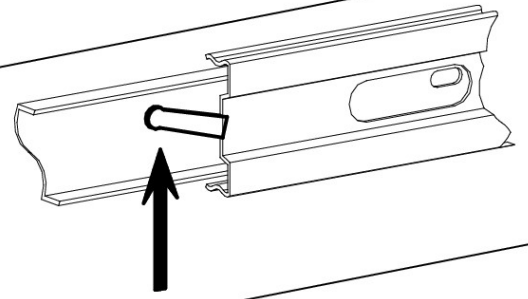
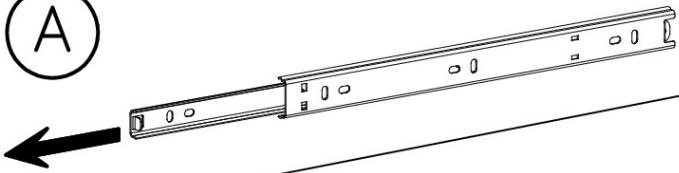


2 2x

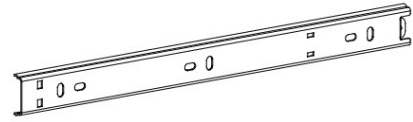
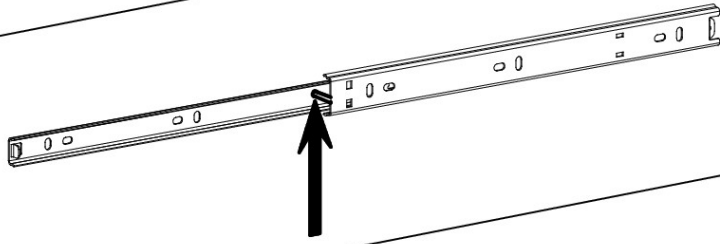
|  |   |  |  |
|--|---|--|--|
| X  | W   | Z5   | Z6   |
|  |  |  |  |
| 160mm  | 2x  | 4x   | 1x   |
|  | 4x30  | Ø7x50  |  |



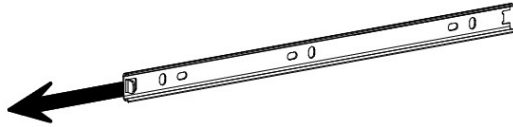
A



B

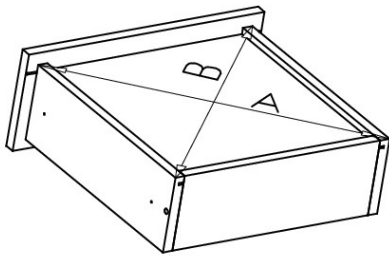


C



3

2x



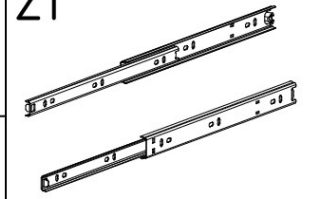
U

3,5x16



12x

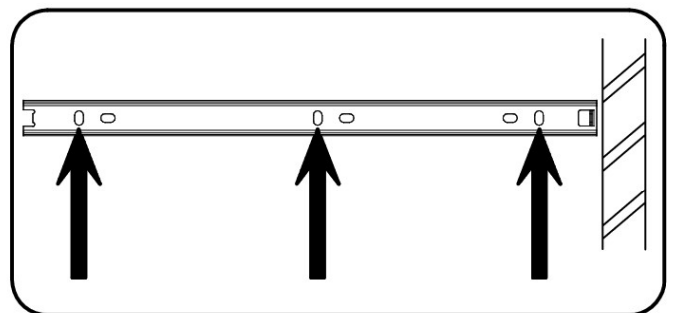
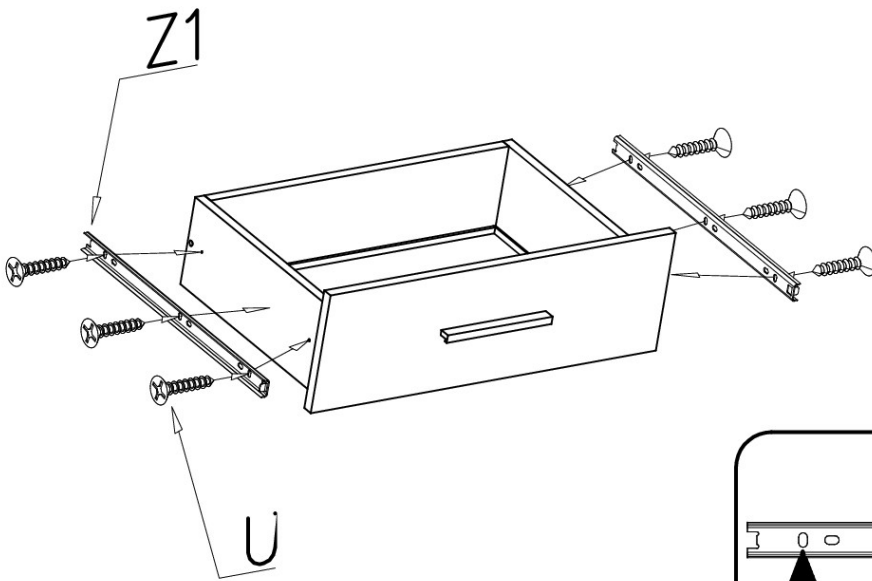
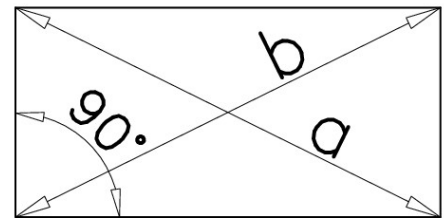
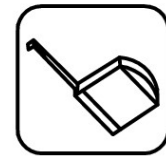
Z1



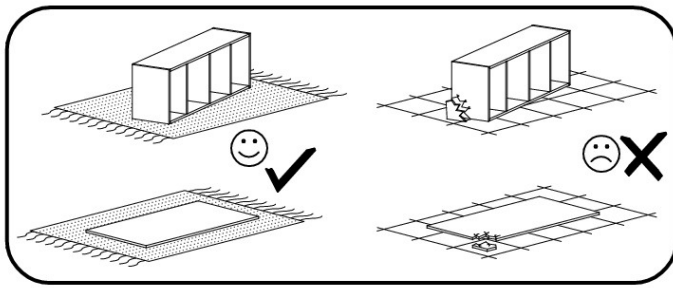
H30-350mm

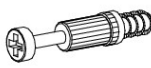


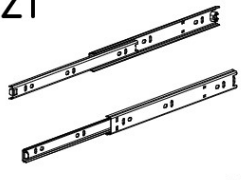

x2

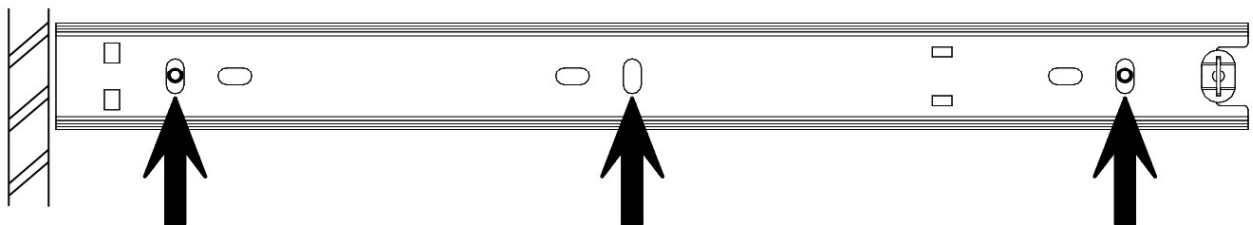
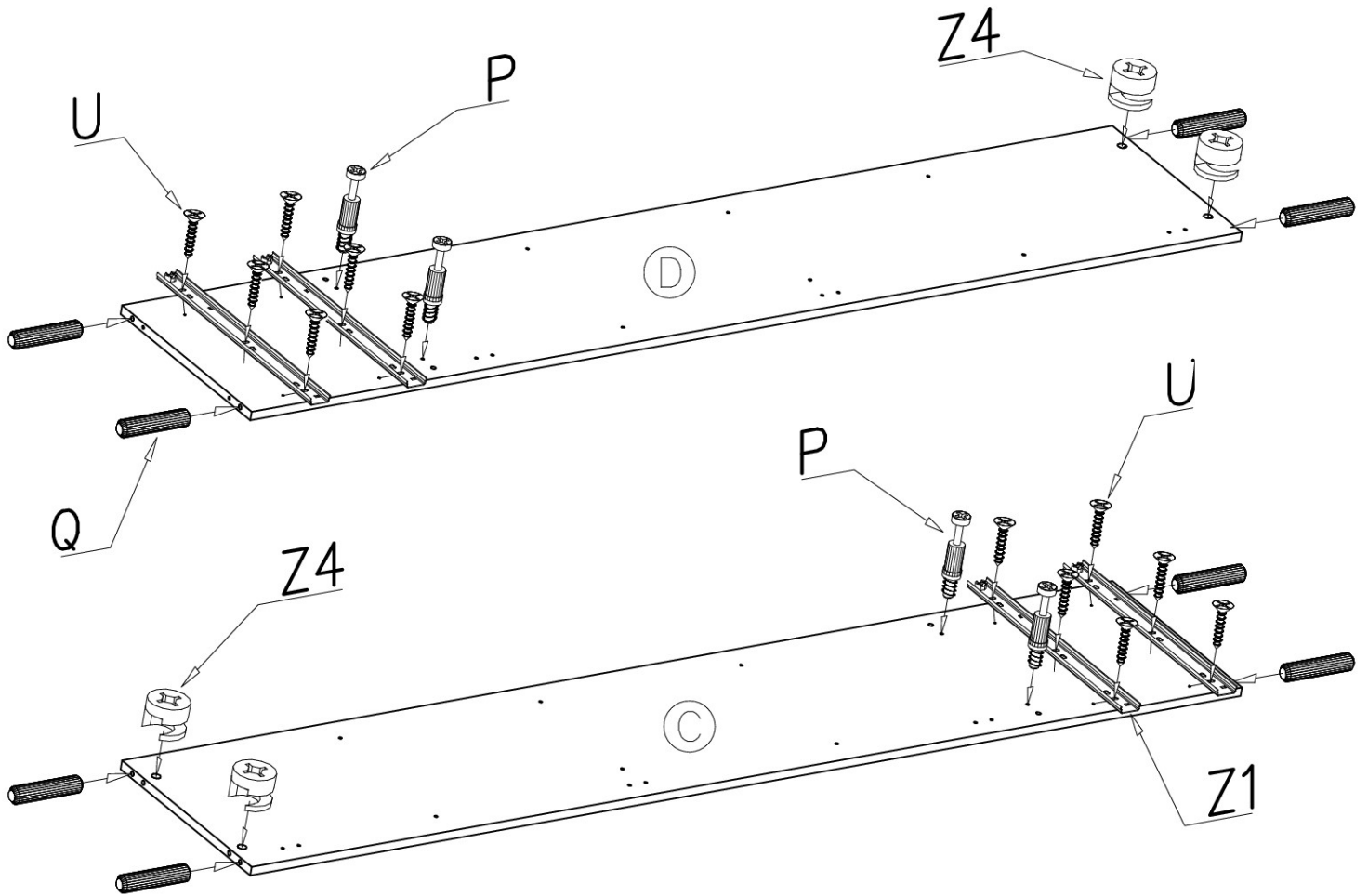
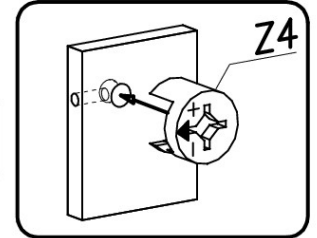
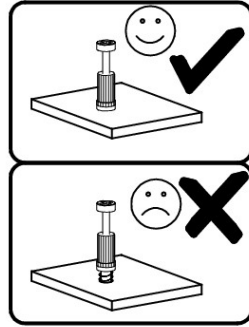
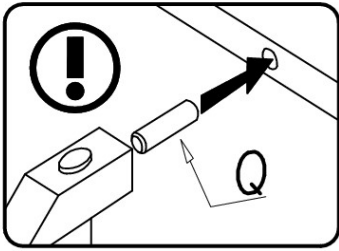
a=b





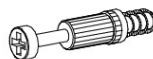


# 4

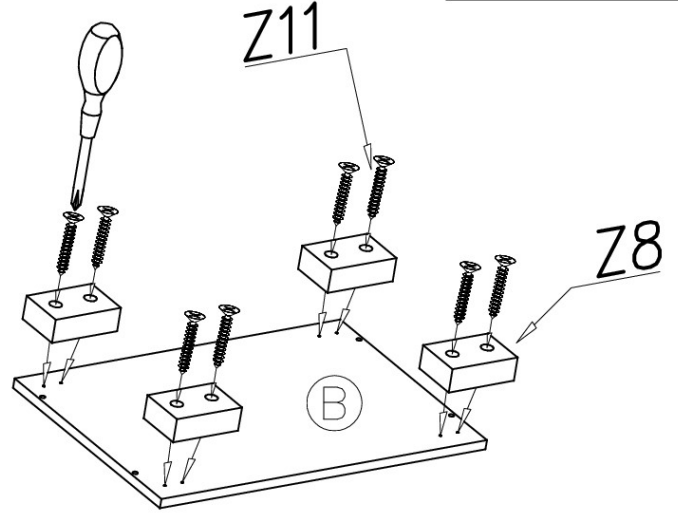
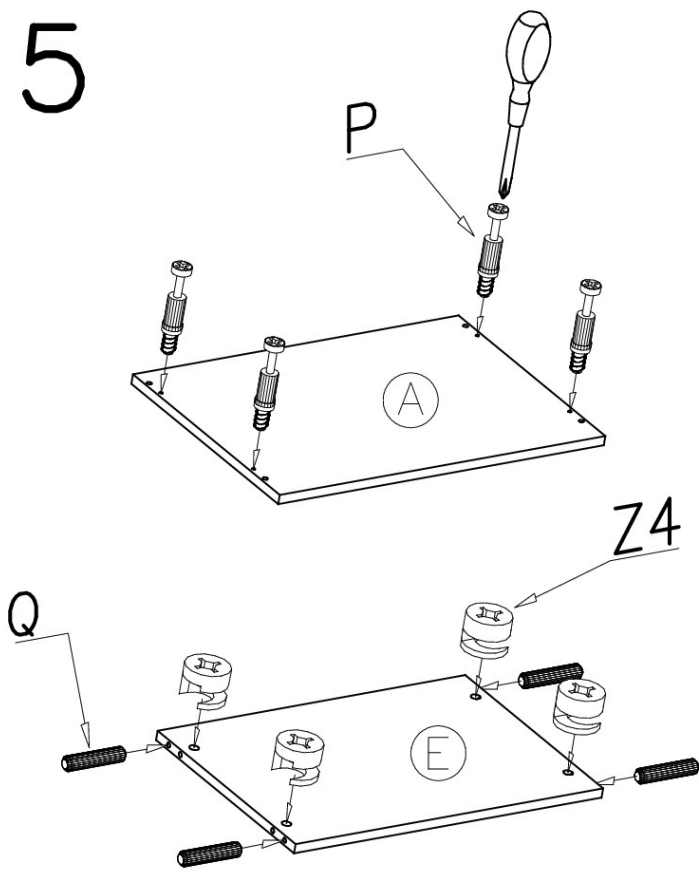


|   |   |     |           |   |    |
|---|---|-----|-----------|---|----|
| P |   | 4x  | Z4        |   | 4x |
| Q |  | 8x  | Z1        |  |    |
| U |  | 12x | H27-350mm |   | x2 |
|   | Ø8x30   |     |           |   |    |
|   | 3,5x16  |     |           |   |    |

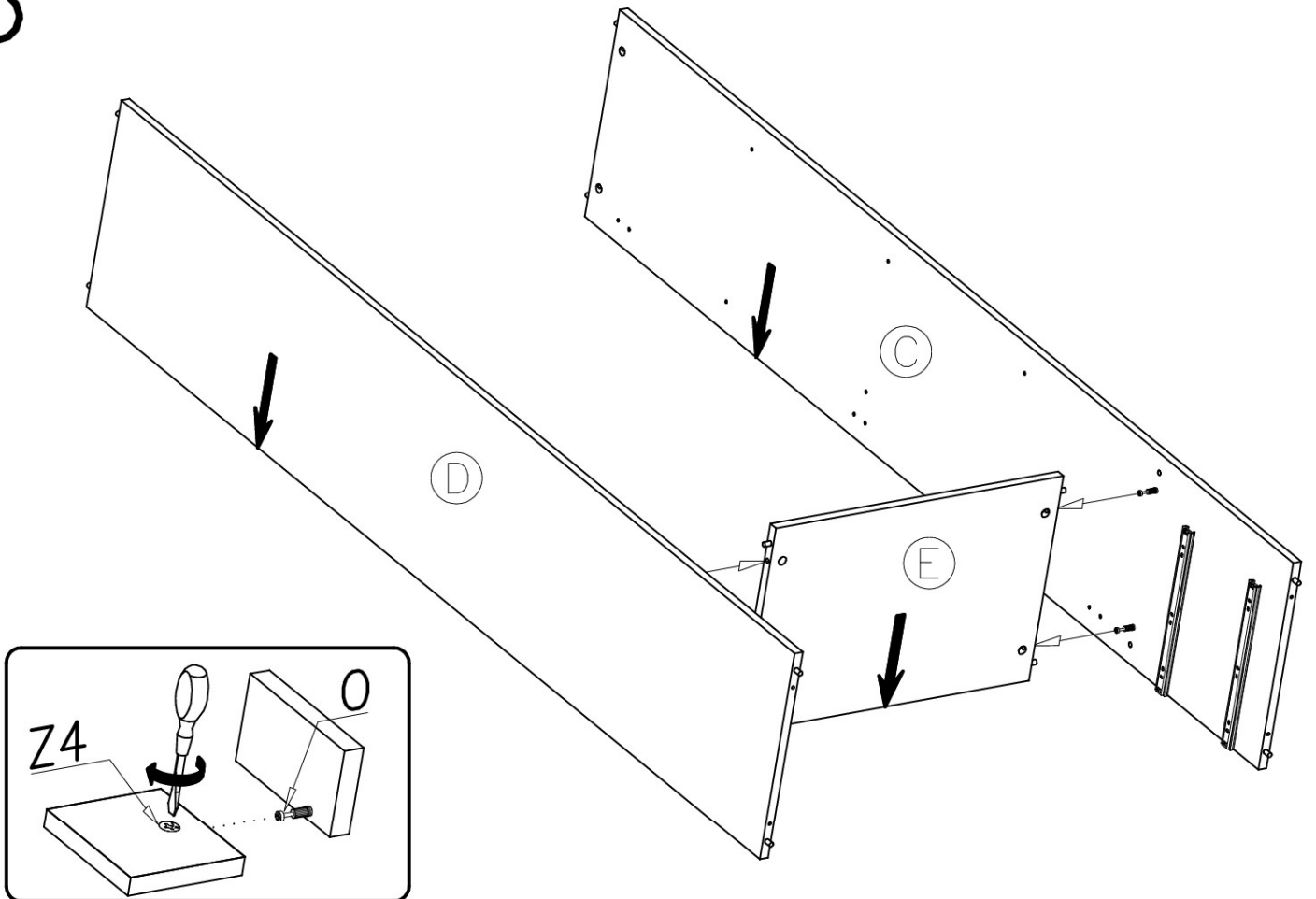


# 5

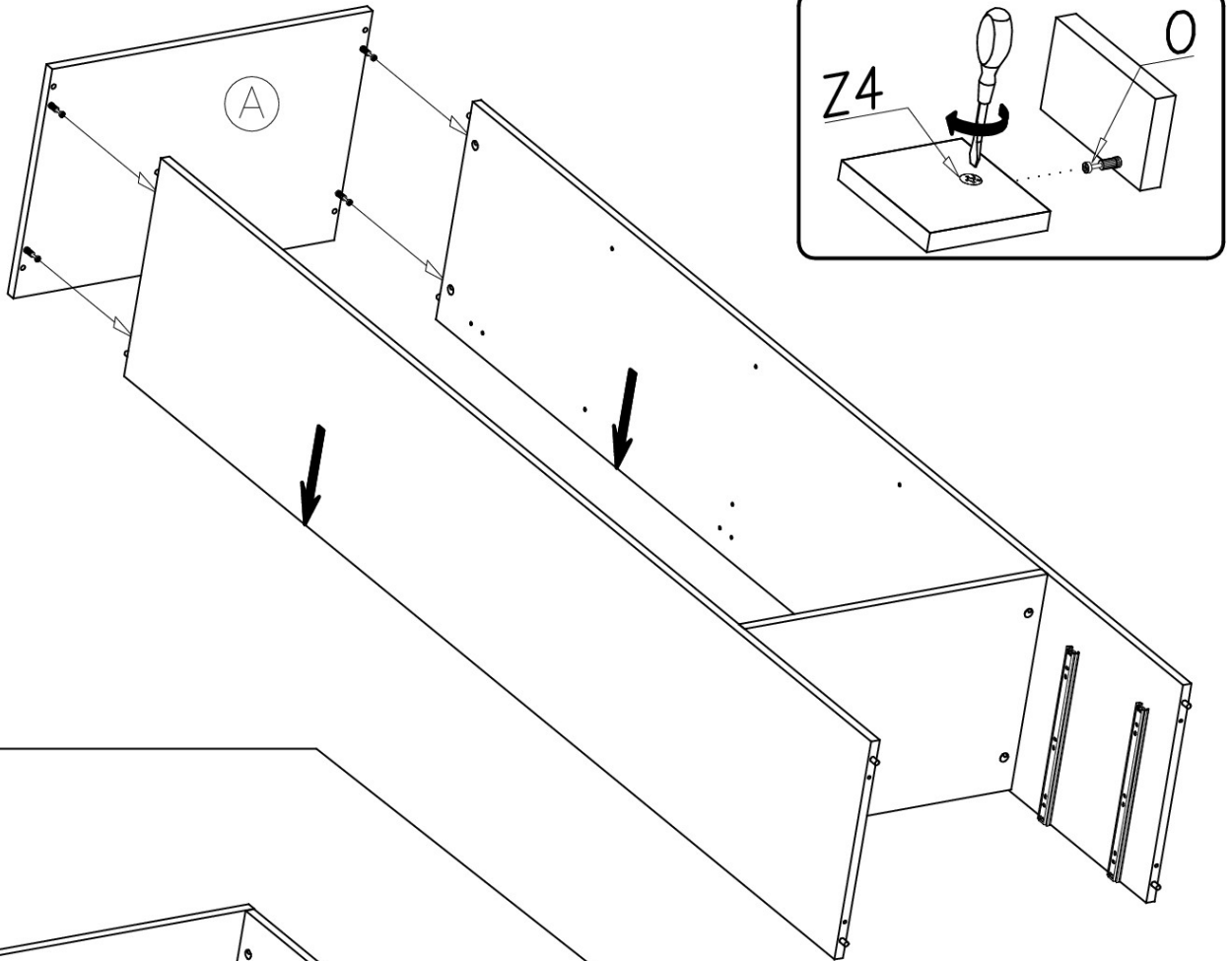
|                    |   |                   |   |
|--------------------|---|-------------------|---|
| Z4<br>Ø15x12<br>4x |   | Q<br>Ø8x30<br>4x  |    |
| P<br>4x            |  | Z11<br>4x20<br>8x |  |
|                    |   | Z8<br>4x          |  |



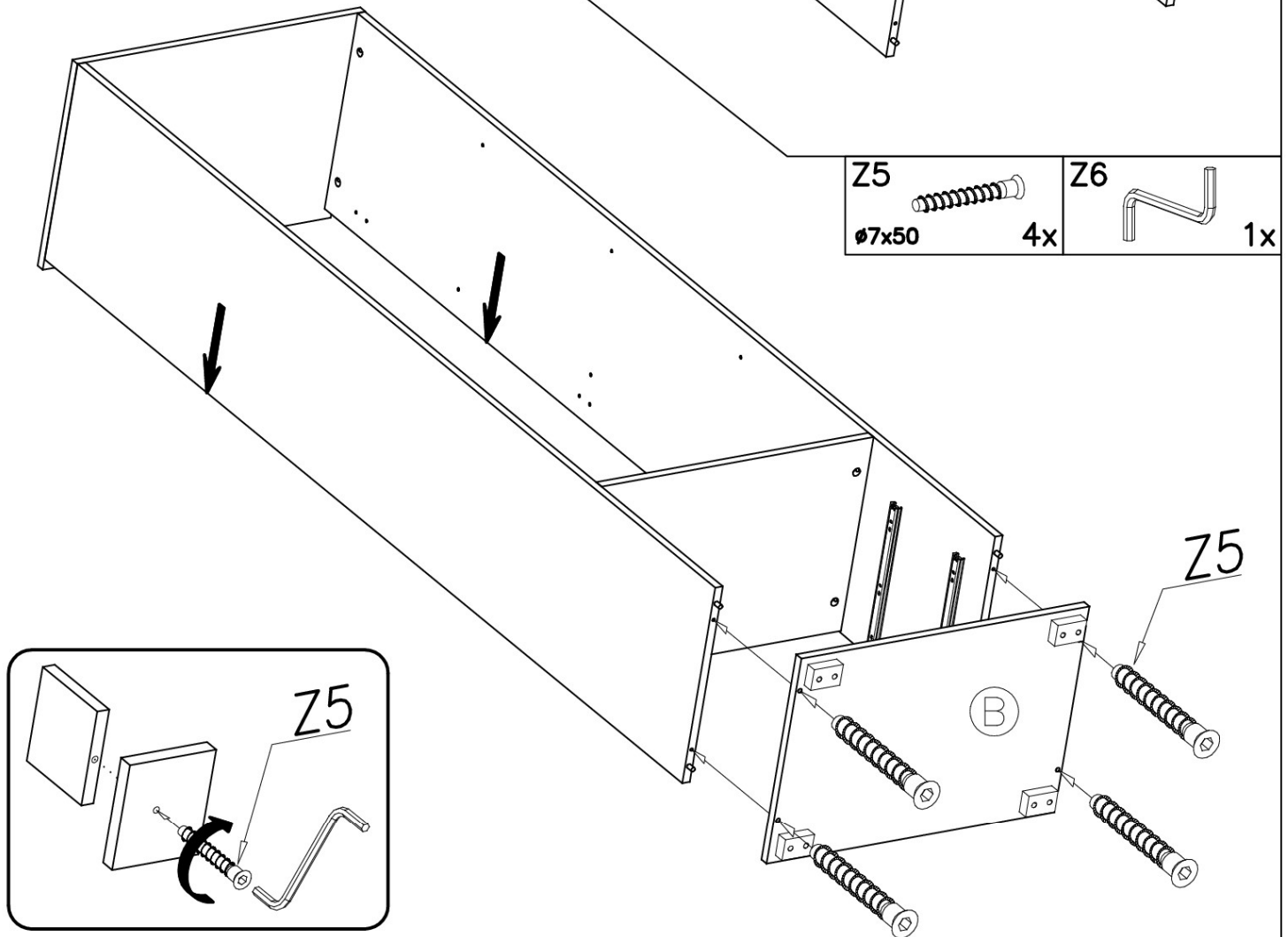
# 6




7

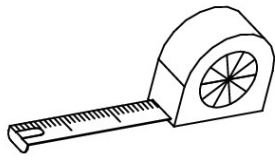


8

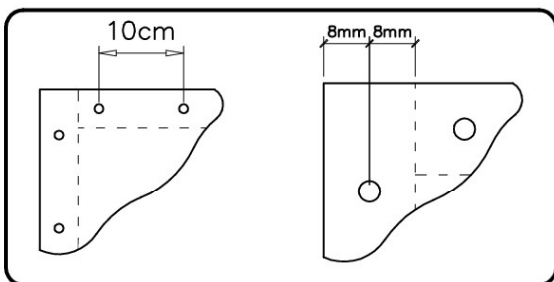
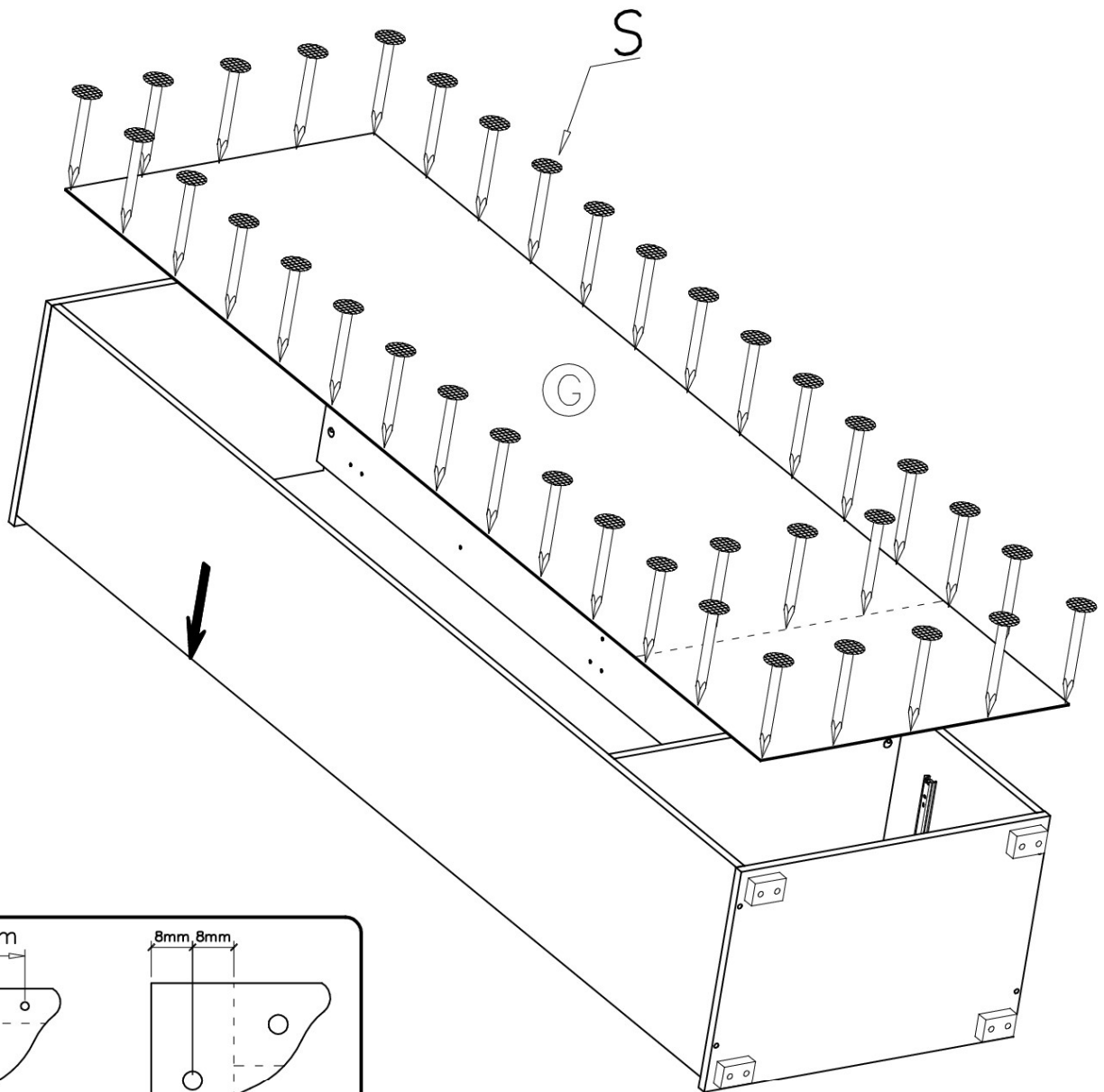
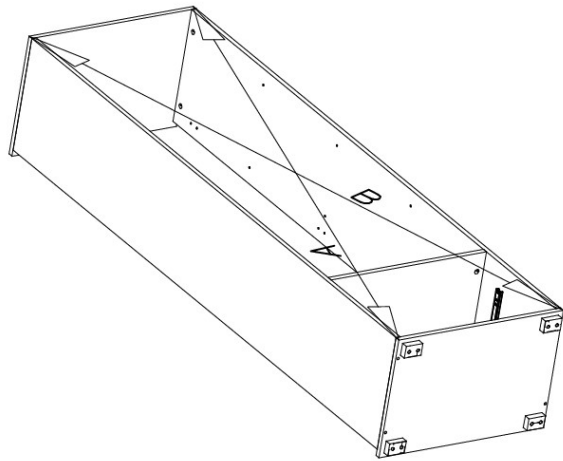


# 9



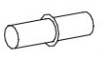
S   
Ø 2x20 70x

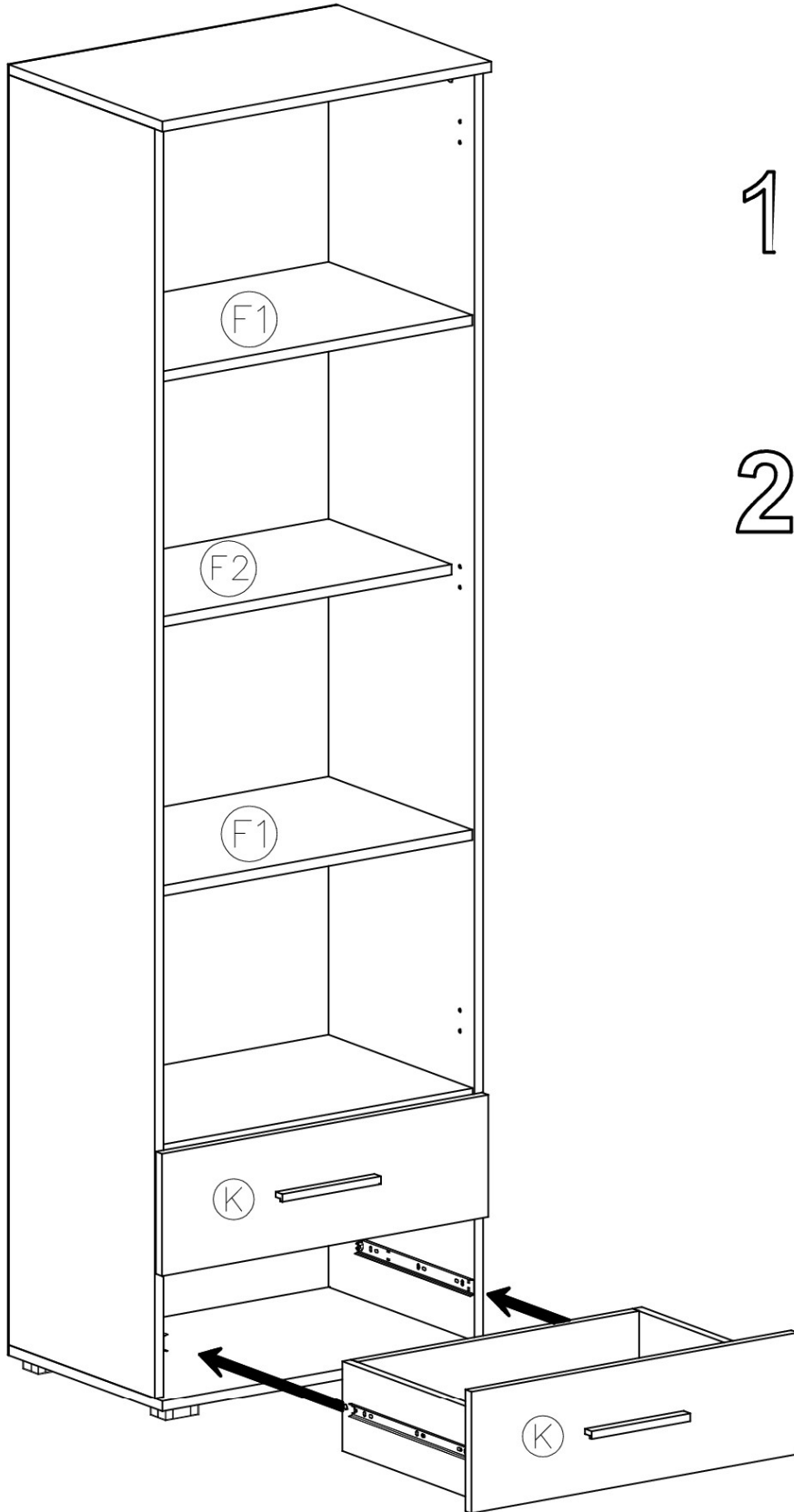


A=B

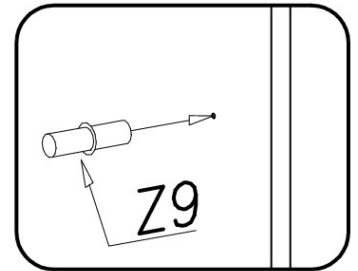


# 10

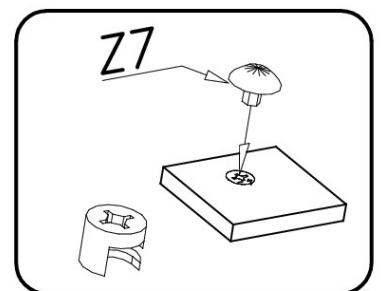
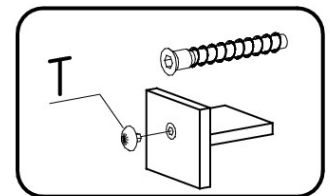
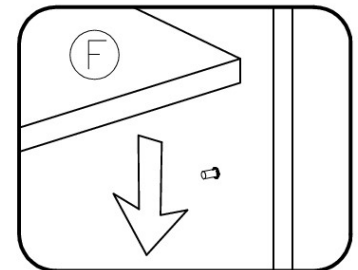
|           |  |     |          |   |     |
|-----------|--|-----|----------|---|-----|
| Z7<br>ø16 |  | 12x | T<br>ø13 |   | 8x  |
|           |  |     | Z9       |  | 12x |



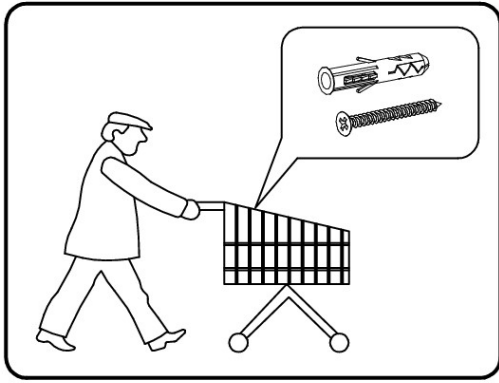
1





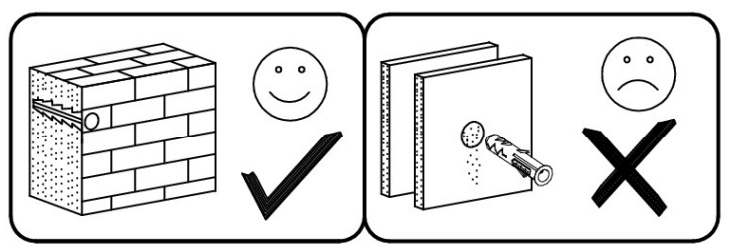
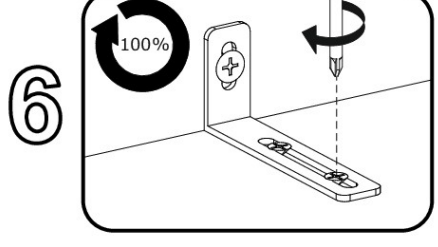
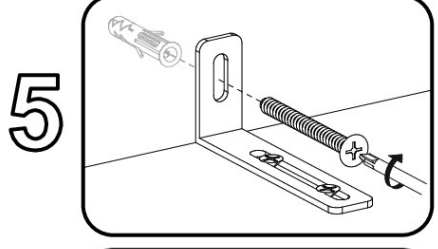
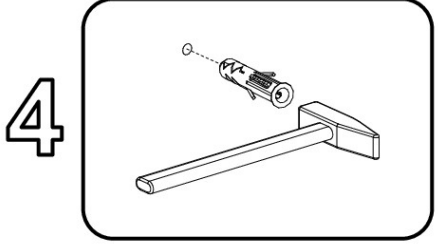
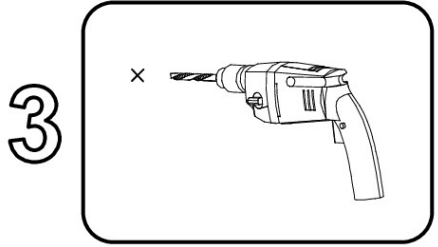
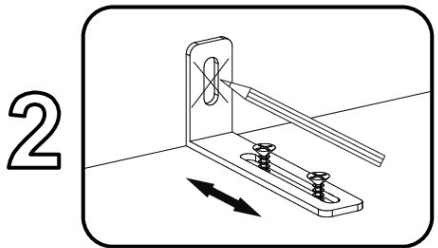
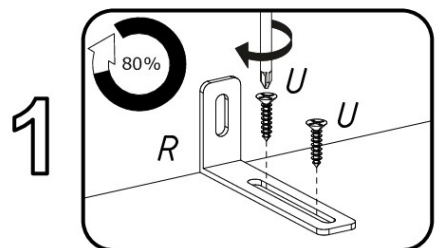
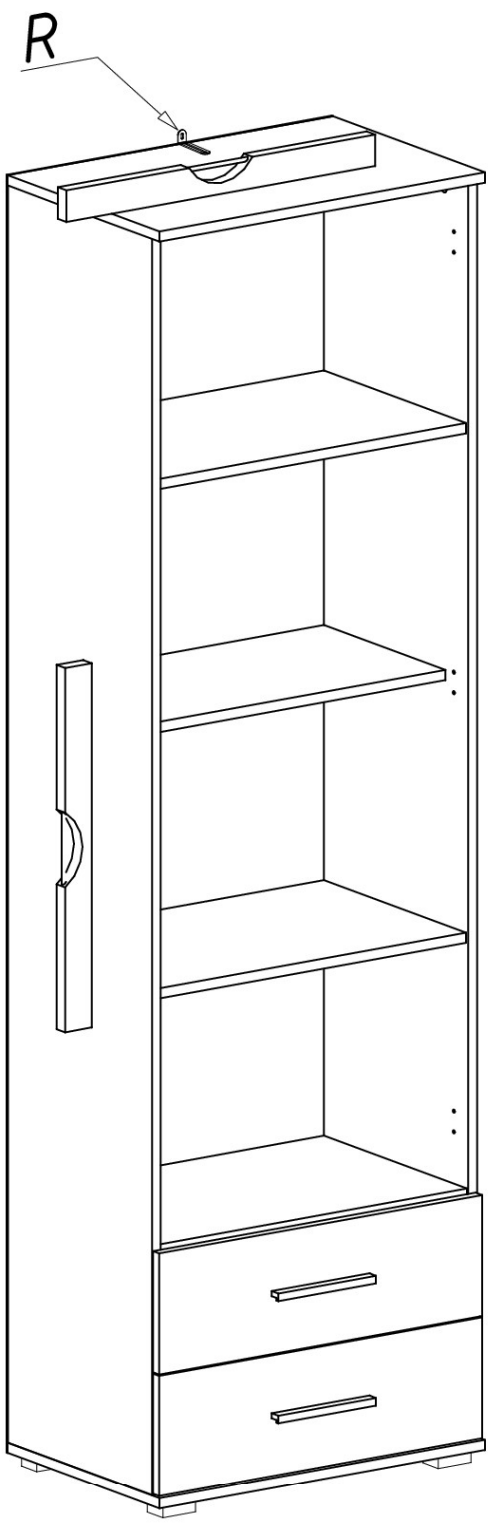
2



# 11

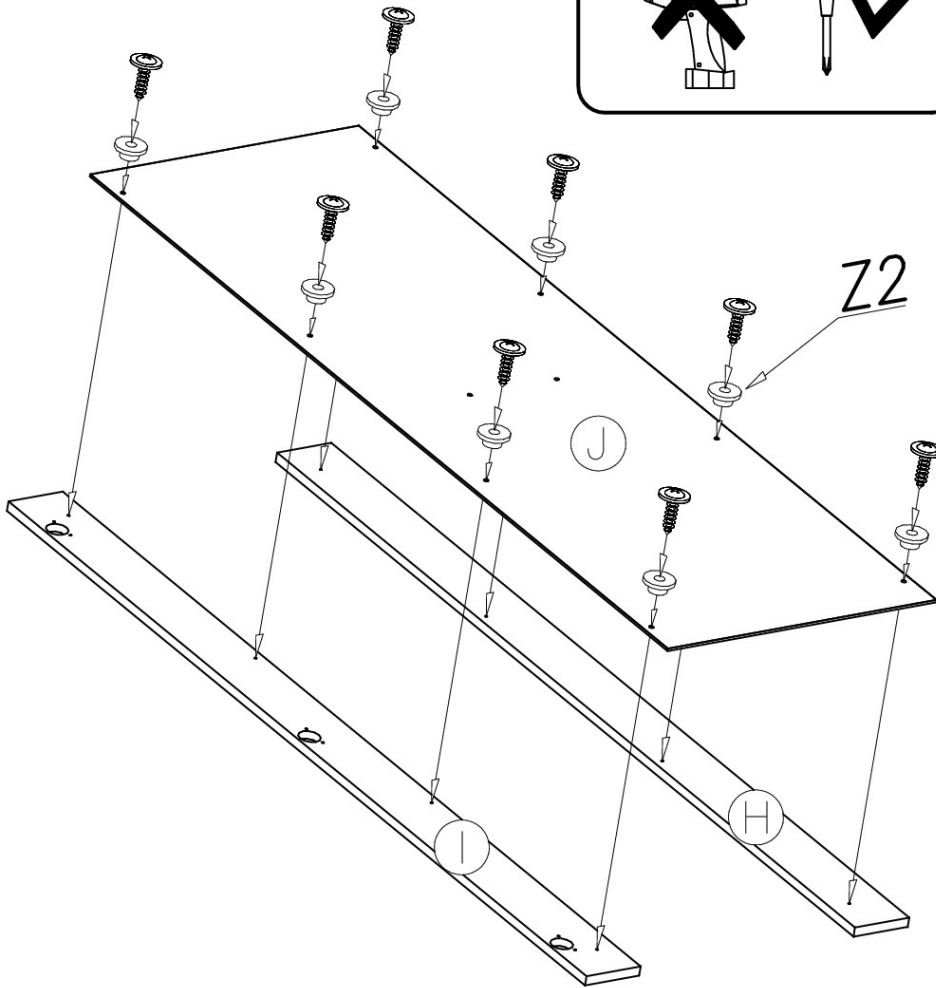
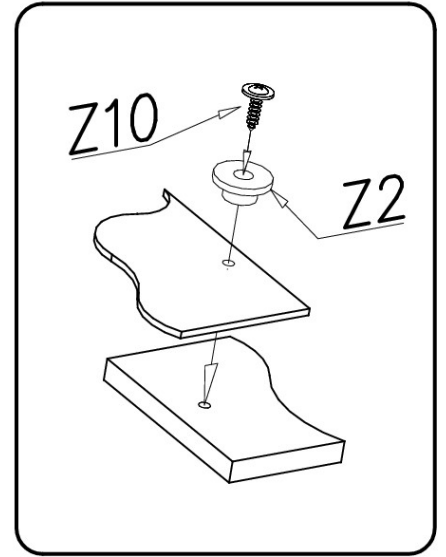
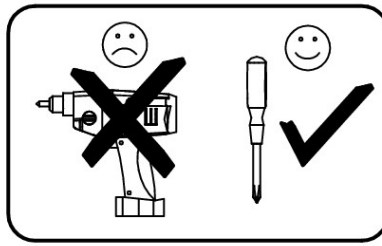


|        |  |   |  |
|--------|--|---|--|
| U      |  | R |  |
| 3,5x16 | 2x   |   | 1x   |



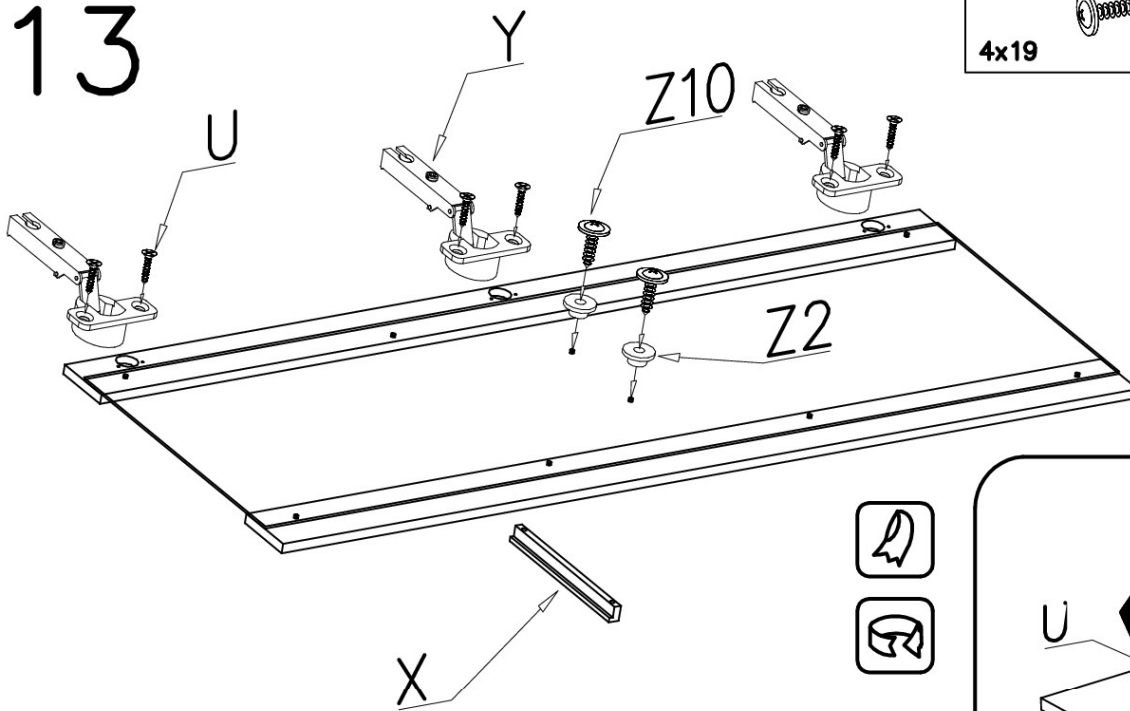
# 12

Z10

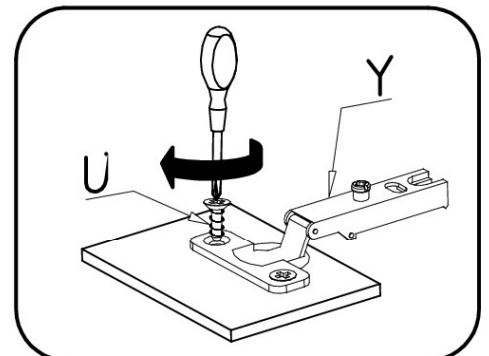


|      |  |    |
|------|--|----|
| Z2   |  | 8x |
| Z10  |  | 8x |
| 4x19 |  |    |

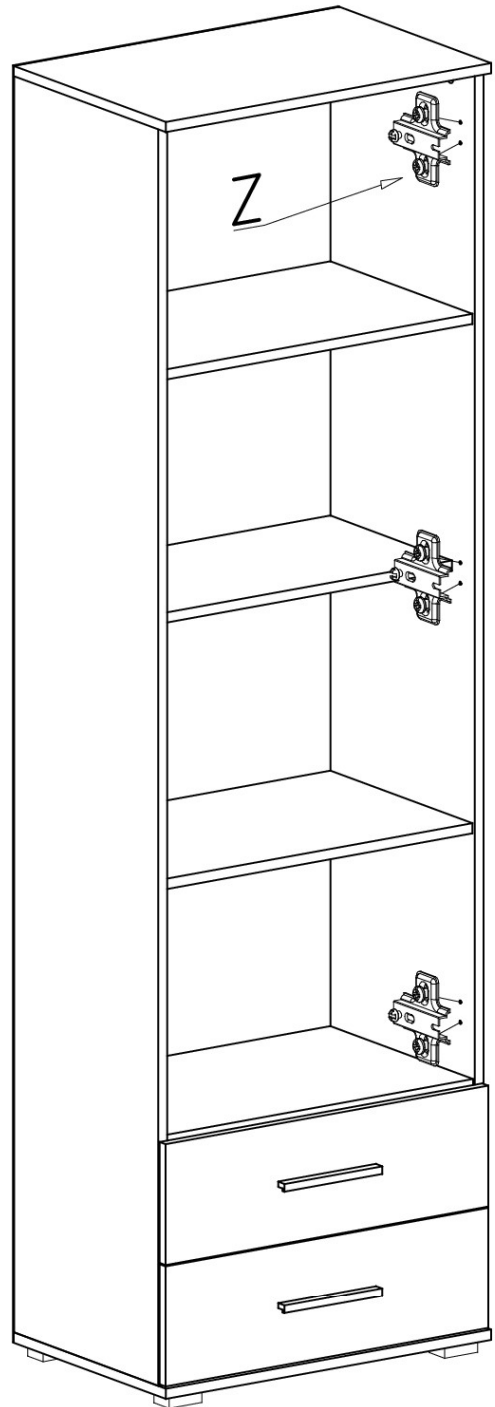
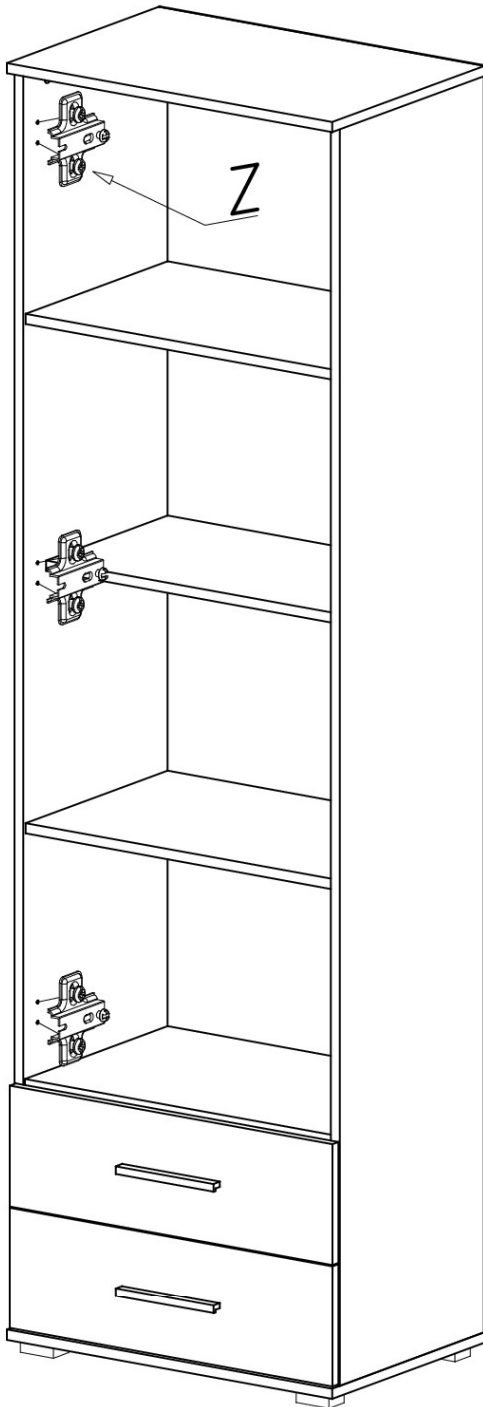
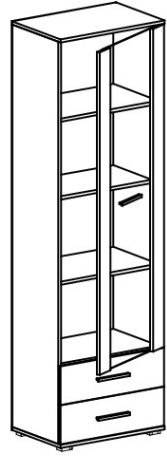
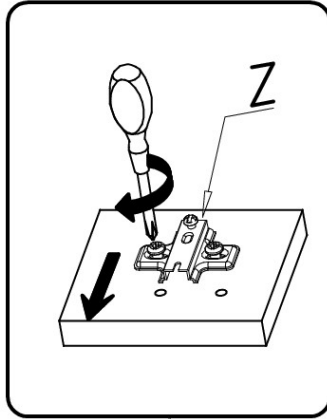
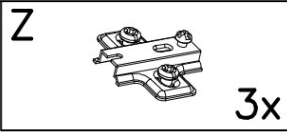
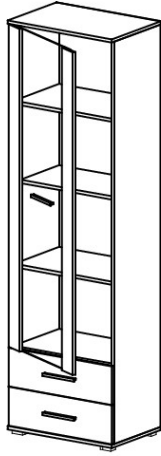
# 13



|      |  |    |       |  |    |
|------|--|----|-------|--|----|
| Z10  |  | 2x | U     |  | 6x |
| 4x19 |  |    | Y     |  | 3x |
|      |  |    | Z2    |  | 2x |
|      |  |    | X     |  | 1x |
|      |  |    | 160mm |  |    |



14



# 15

Z3

8x1,8



2x

