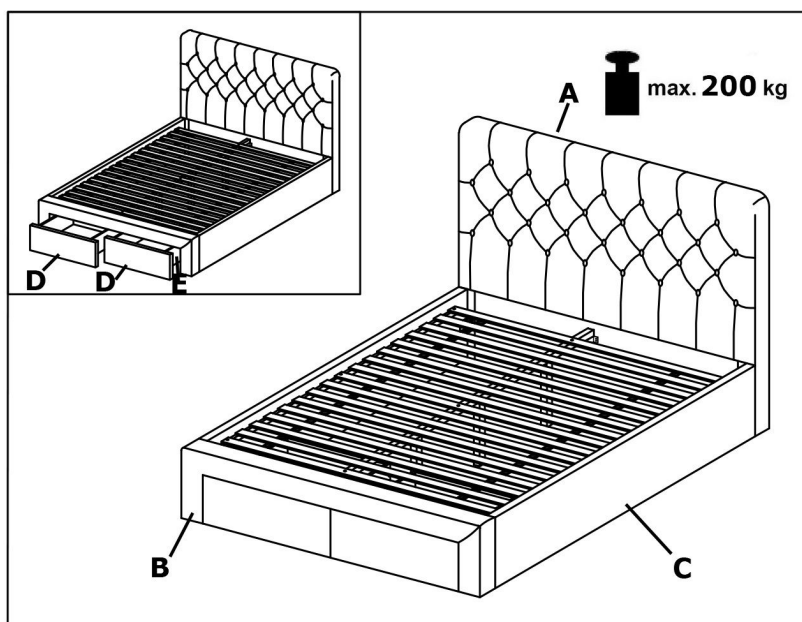





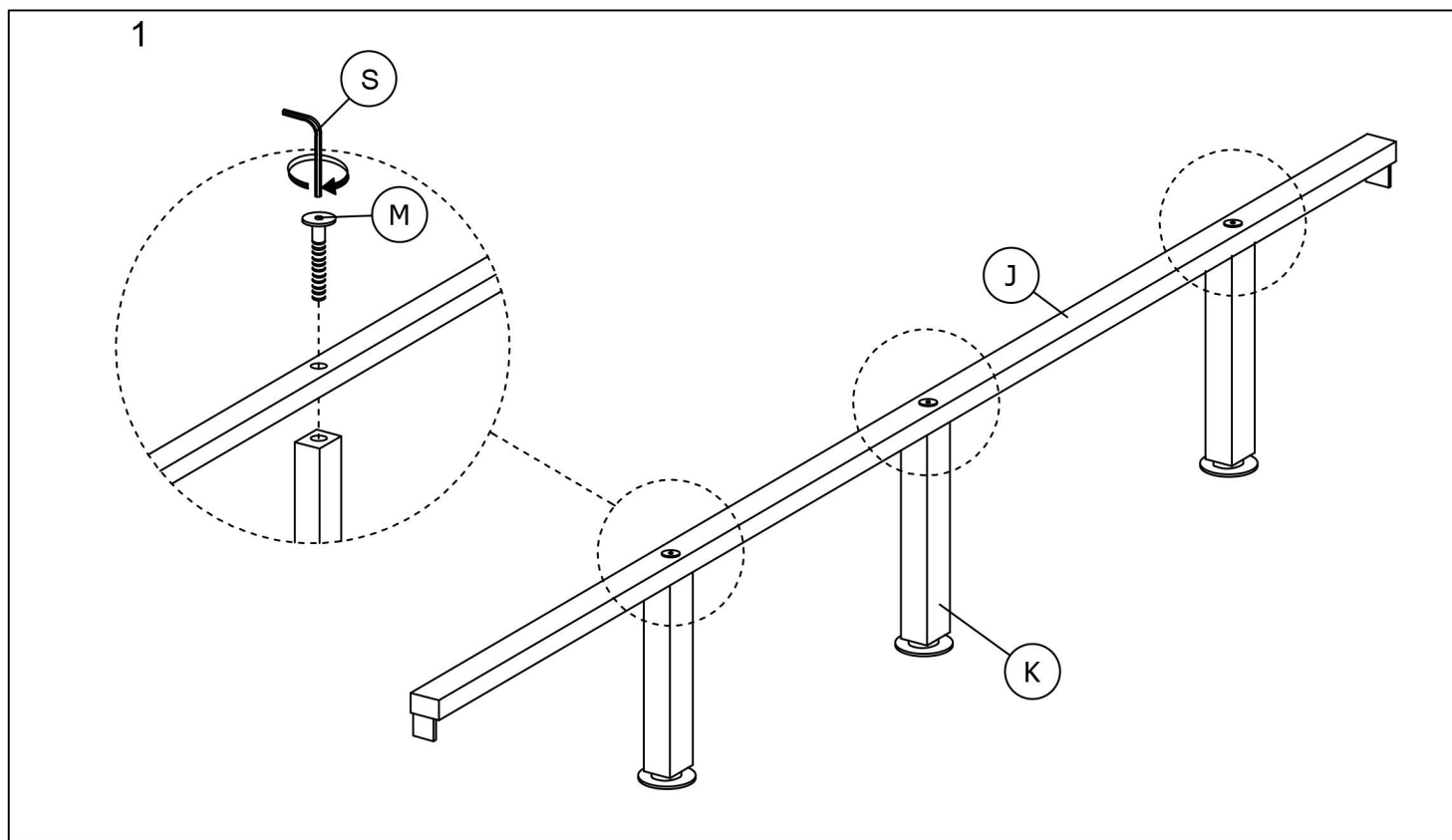
# MARISOL 160

A	HEADBOARD	1
B	FOOTBOARD	1
C	SIDERAIL	2
D	DRAWER FACE	2
E	DRAWER BACK	2
F	DRAWER SIDERAIL	4
G	DRAWER PANEL	2
H	DRAWER BOTTOM	6
I	CASTER	8
J	CENTER SUPPORT	1
K	CENTER SUPPORT LEG	3
L	SLATS	17



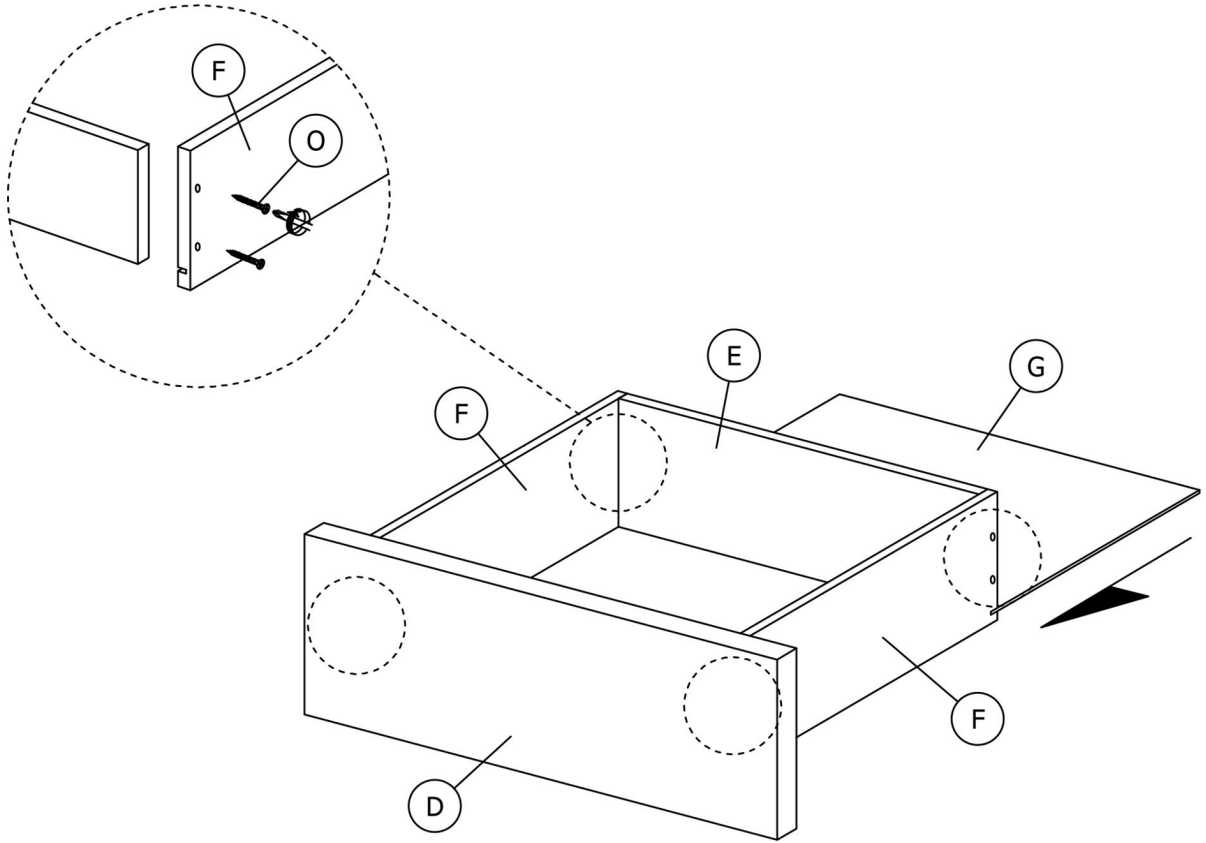
M		M6 x 60mm	3
N		M4 x 38mm	9
O		M4 x 32mm	28
P		M3.5 x 16mm	16

Q		3/4"	16	
R		M8 x 25mm	8	
S		M4	M5	1

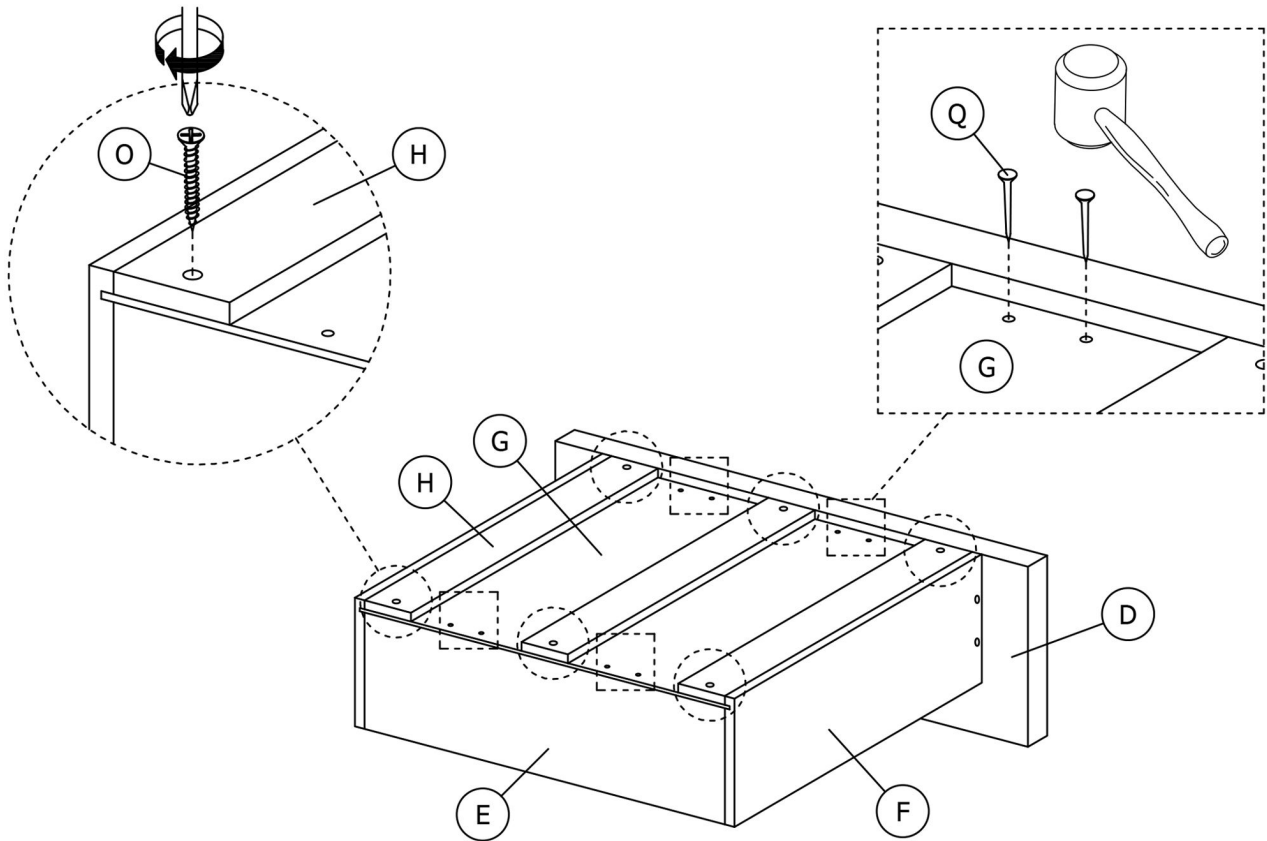


# MARISOL 160

2

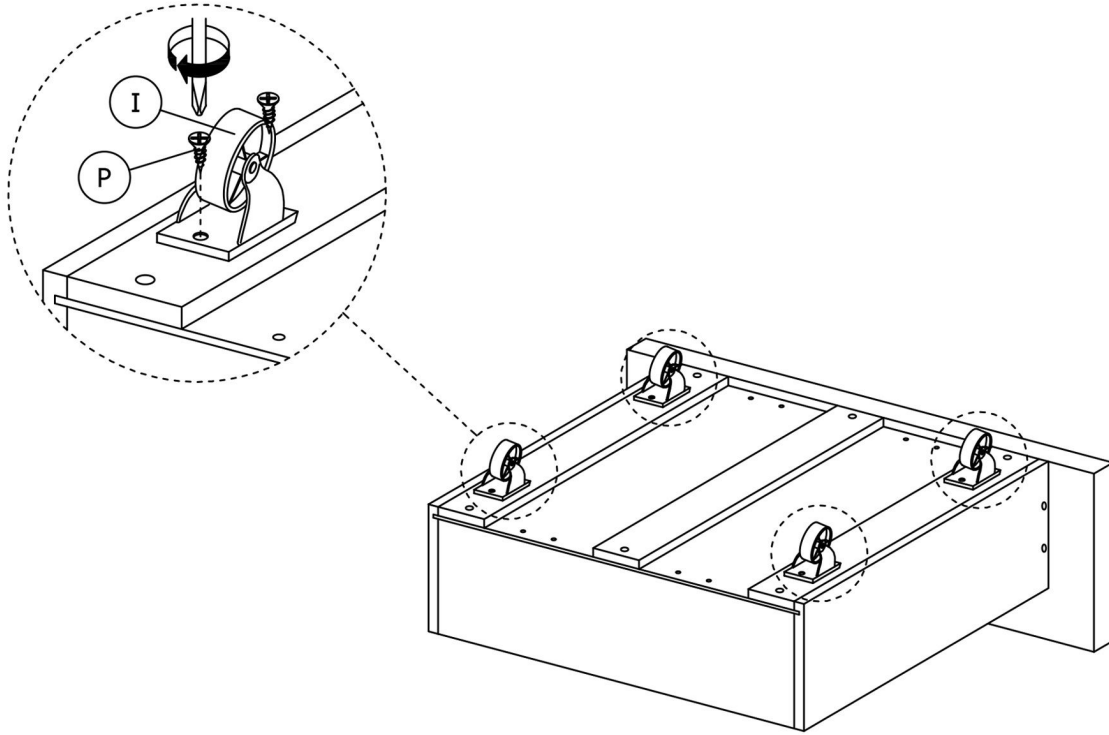


3

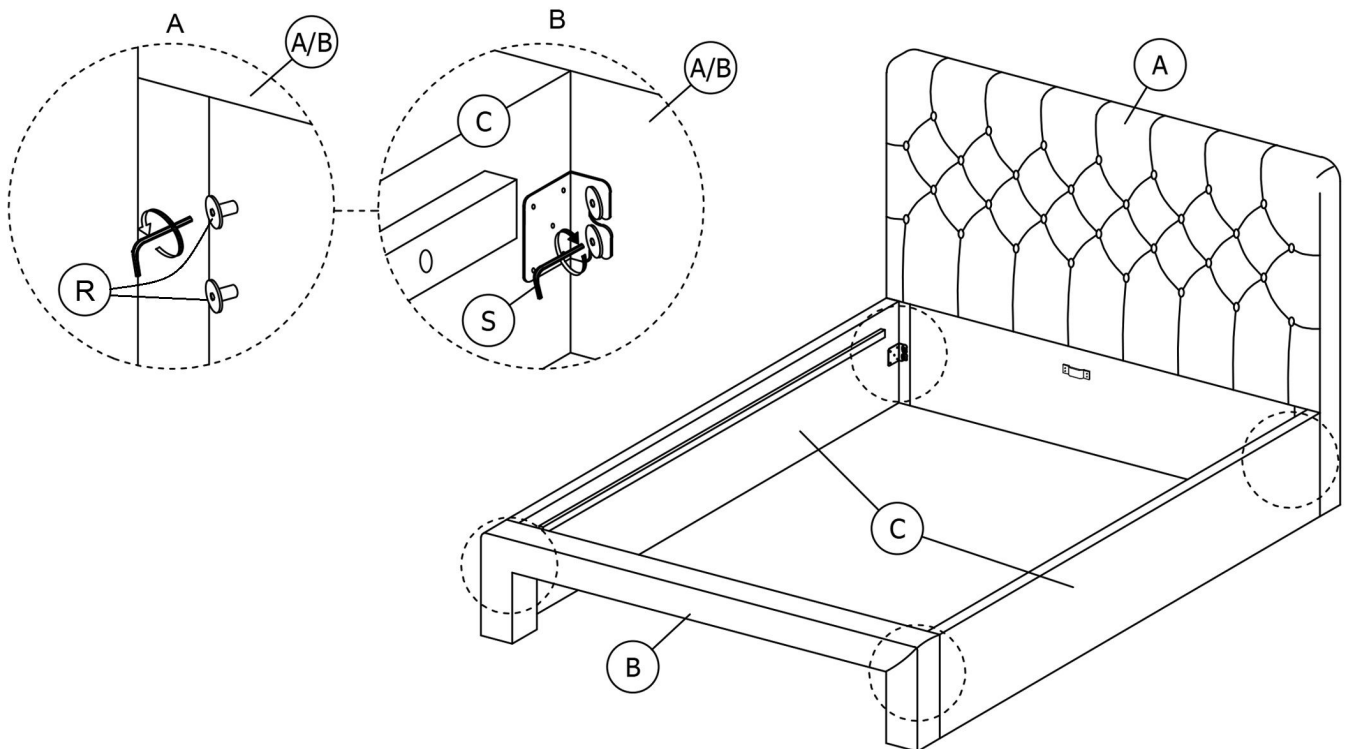


# MARISOL 160

4

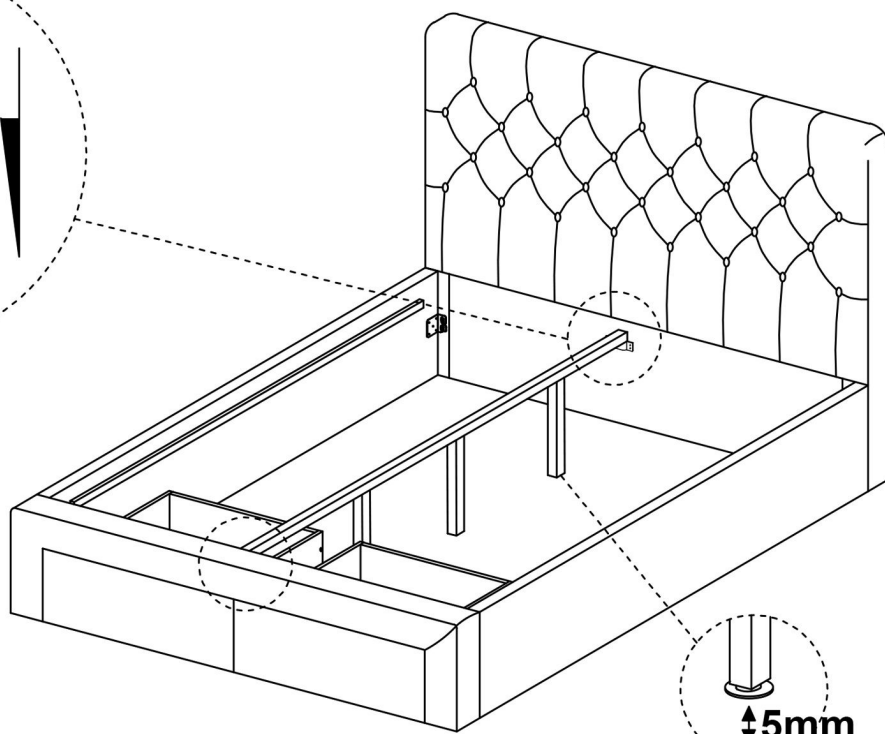
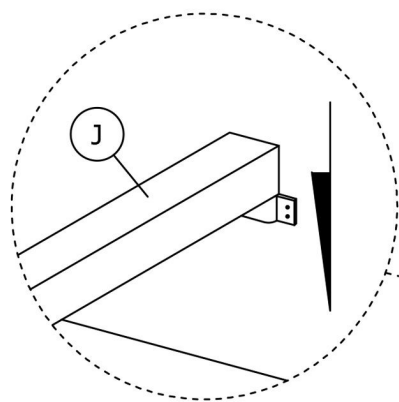


5



# MARISOL 160

4



↕5mm

**UWAGA:** zachowaj odległość 5 mm pomiędzy nogą a podłogą  
aby zapobiec możliwości złamania nogi.  
**ATTENTION:** Keep a distance of 5mm from adjuster  
center support leg to floor to avoid breakage of the leg!

5

