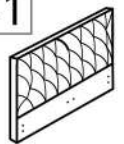

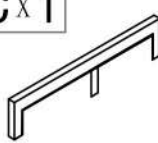





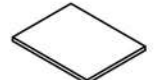






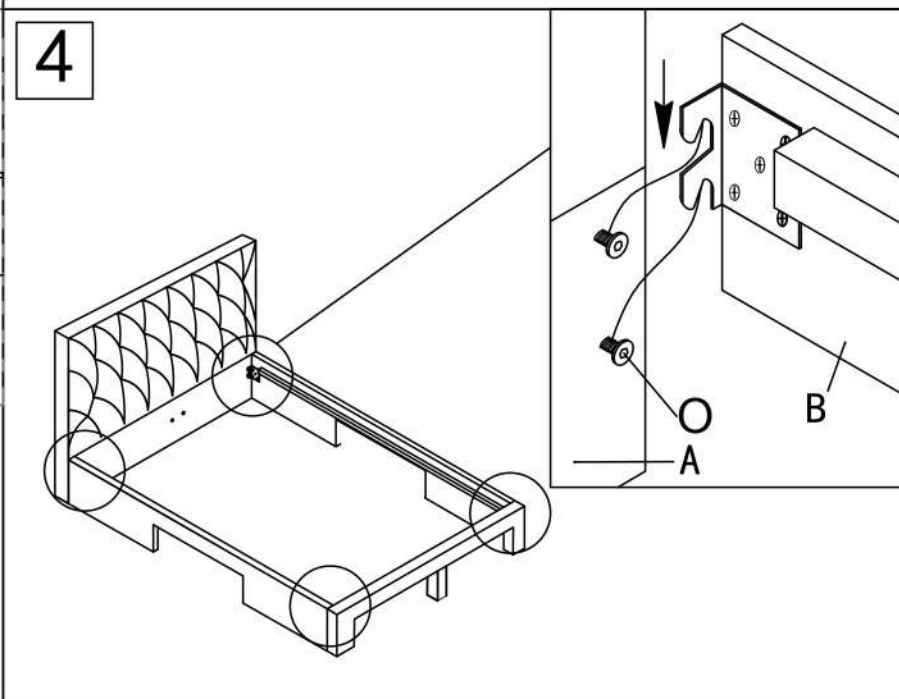
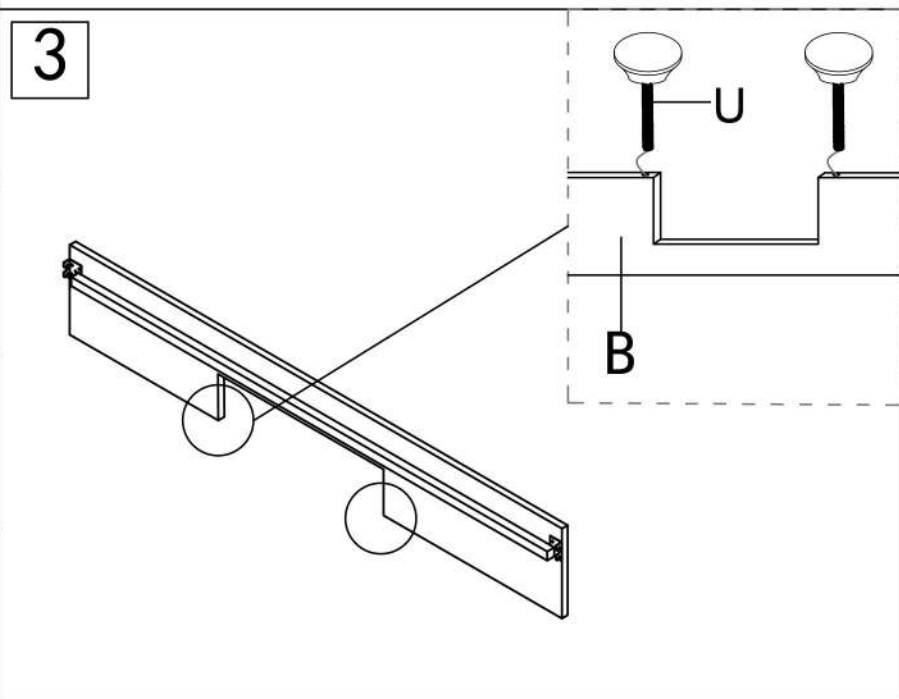
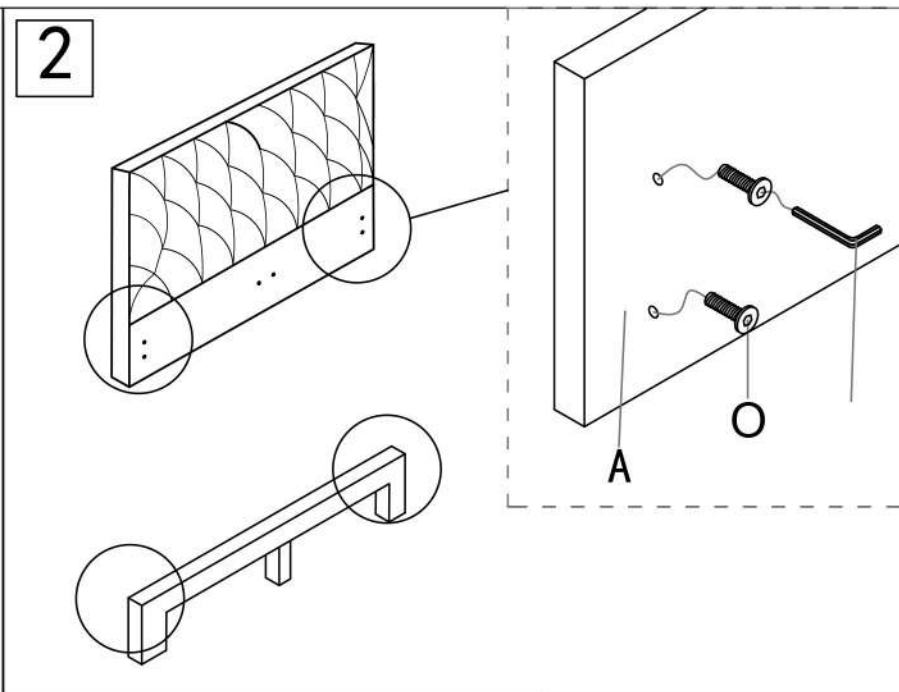
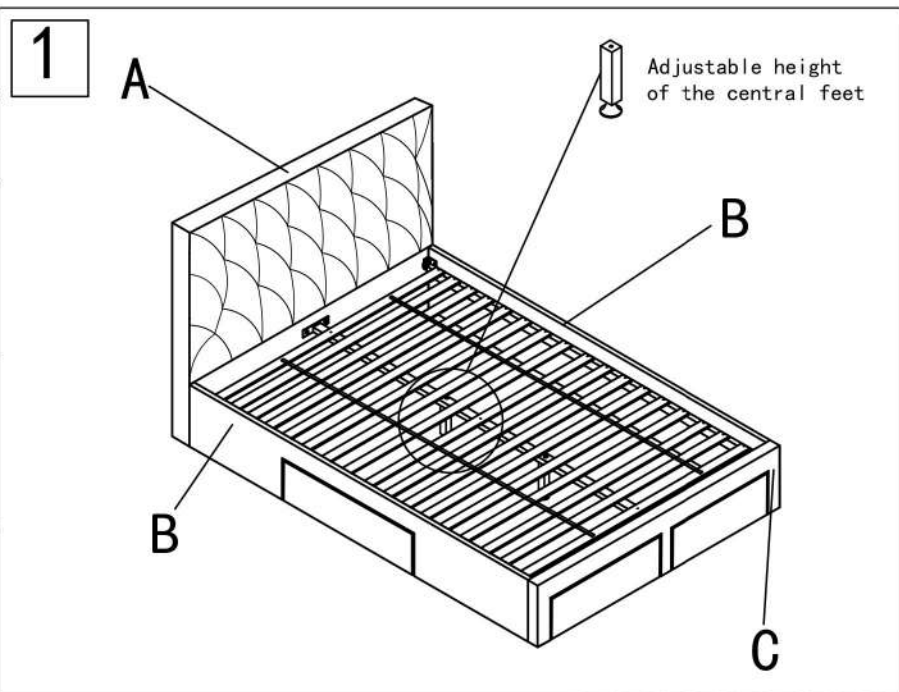
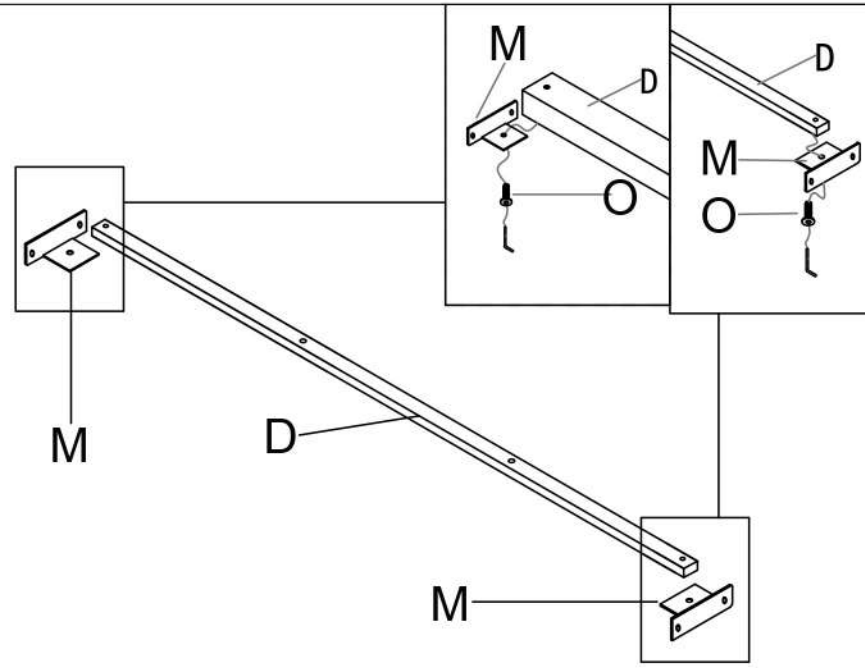


BETINA160

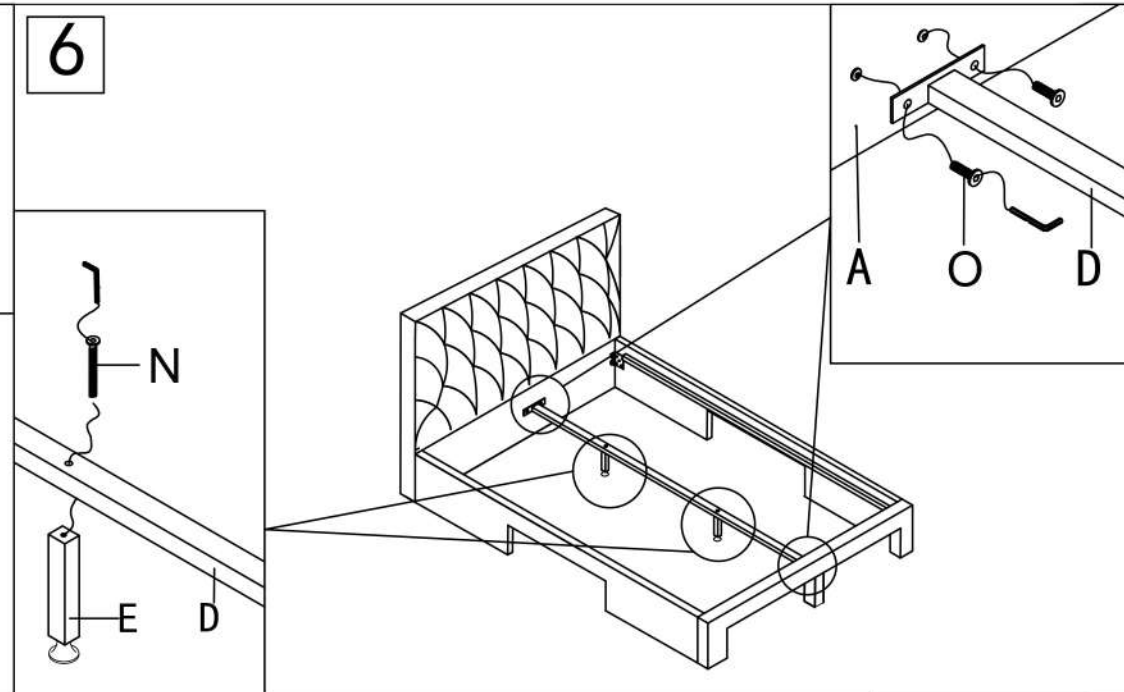
A x 1 	B x 2 
C x 1 	D x 1 
E x 2 	F x 1 
G x 8 	
I x 8 	J x 4 
K x 4 	L x 39  M4x30
M x 2 	N x 2  M8x50
O x 14  M8x25	P x 16 



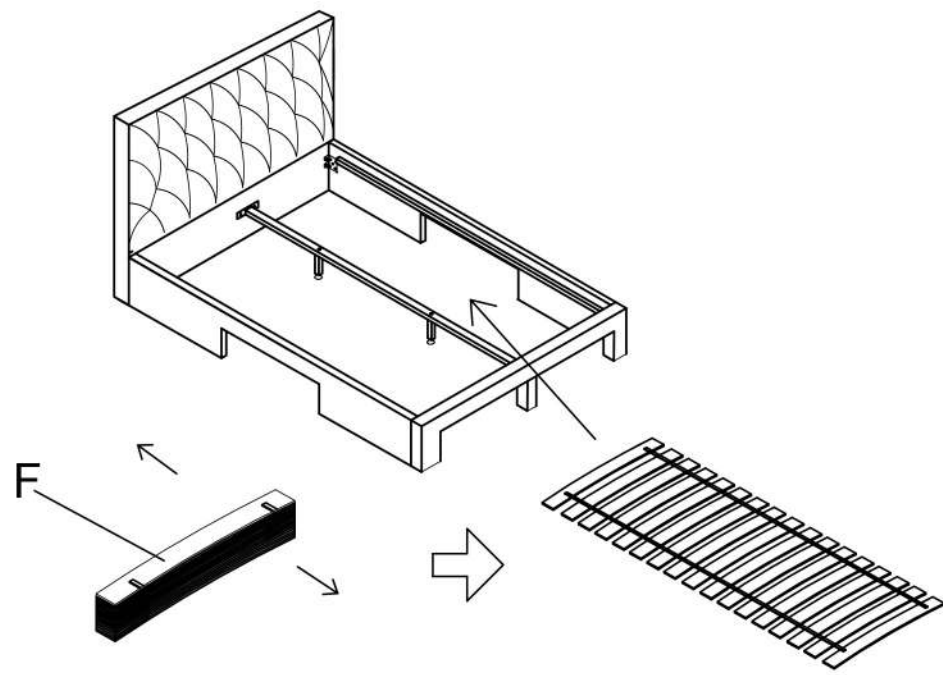
5



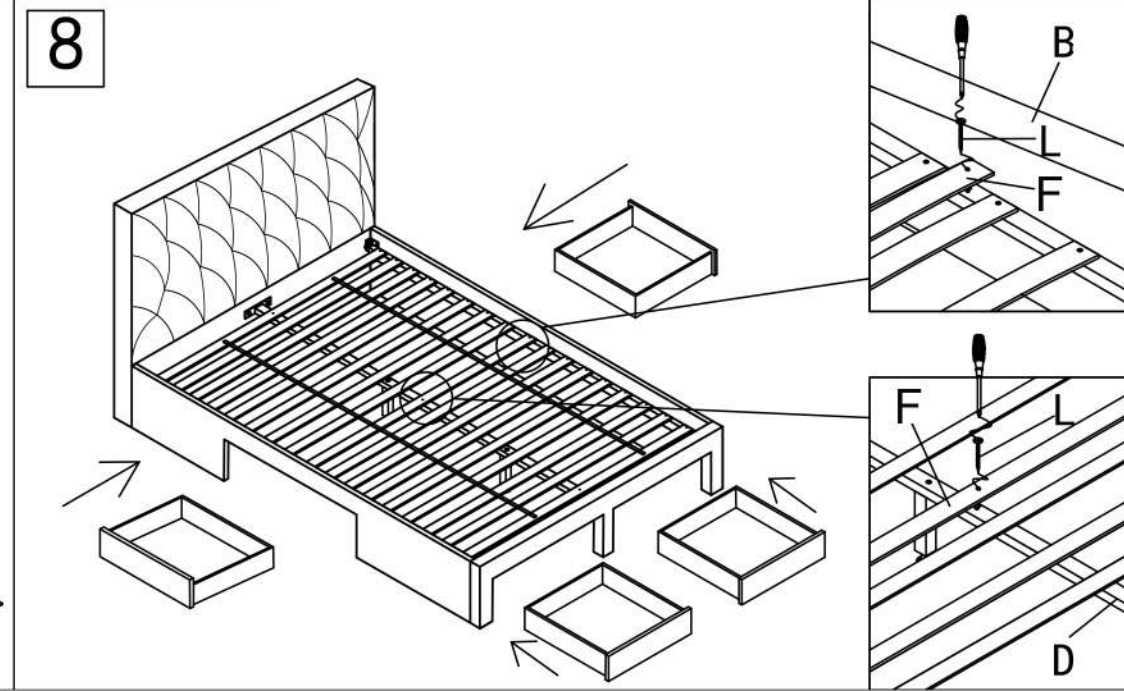
6







7



8



BETINA

<p>Q x 32</p> 	<p>R x 8</p>  <p>M8x30</p>
<p>S x 32</p>  <p>M4x15</p>	<p>T x 32</p>  <p>M4x50</p>
<p>U x 4</p> 